
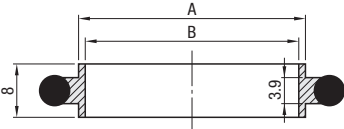

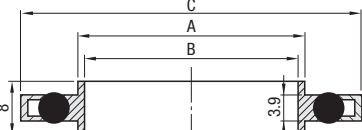

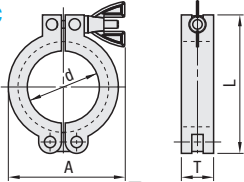

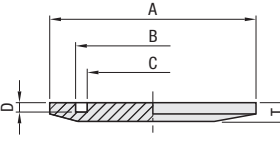

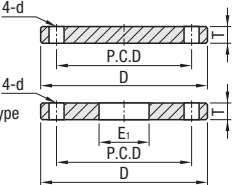

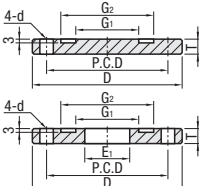


# Fittings for Vacuum Plumbing

NW (KF) Flanged / JIS Flanged

<p><b>Center Ring</b></p>  <p>RoHS10</p>	<p><b>FRNWCR</b></p>  <p>Max. Operation Temperature: 150°C</p> <p>M Material Ring : SUS304 O-Ring : Fluororubber</p>
<p><b>Center Ring - With Outer Ring</b></p>  <p>RoHS10</p>	<p><b>FRNWR</b></p>  <p>Max. Operation Temperature: 150°C</p> <p>M Material Ring : SUS304 O-Ring : Fluororubber</p>
<p><b>Clamp</b></p>  <p>RoHS10</p>	<p><b>FRNWC</b></p>  <p>Max. Operation Temperature: 200°C</p> <p>M Material Main Body : Aluminum Thread : SUS304</p>
<p><b>NW Blind Flanged</b></p>  <p>RoHS10</p>	<p><b>FRNWF</b></p>  <p>Max. Operation Temperature: 200°C</p> <p>M Material SUS304</p>
<p><b>JIS Flanged - VF Type</b></p>  <p>RoHS10</p>	<p><b>FRVF</b> Blank Type</p> <p><b>FRVFA</b> Hole Machined Type</p>  <p>Max. Operation Temperature: 200°C</p> <p>M Material SUS304</p>
<p><b>JIS Flanged - VG Type</b></p>  <p>RoHS10</p>	<p><b>FRVG</b> Blank Type</p> <p><b>FRVGA</b> Hole Machined Type</p>  <p>Max. Operation Temperature: 200°C</p> <p>M Material SUS304</p>

Part Number		A	B	Unit Price
Type	No.			Qty. 1~10
FRNWCR	16	17	16	
	25	26	24	
	40	41	39	
	50	52	50	

FRNWCR16 cannot be used in combination with Vacuum Plumbing No.10.  
For orders larger than indicated quantity, please check with WOS.

Part Number		A	B	C	Unit Price
Type	No.				Qty. 1~10
FRNWR	16	17	16	32.4	
	25	26	24	42	
	40	41	39	56.4	
	50	52	50	70.2	

FRNWR can be commonly used for No.10 and 16.  
For orders larger than indicated quantity, please check with WOS.

Features Center rings prevent O-Rings from falling off and suppress deformation.

Part Number		d	A	L	T	Unit Price
Type	No.					Qty. 1~10
FRNWC	16	22	56.5	61	17	
	25	32	60	72	17.5	
	40	47	68	90	19	
	50	63	91	123	26	

Commonly used for No.10 and 16.  
For orders larger than indicated quantity, please check with WOS.

Part Number		A	B	C	D	T	Unit Price
Type	No.						Qty. 1~10
FRNWF	10	30	12.2	6.0	2.5	5	
	16	30	17.2	11.0			
	25	40	26.2	20.0			
	40	55	41.2	35.0			
	50	75	52.2	46.0			

For orders larger than indicated quantity, please check with WOS.

Part Number		D	P.C.D	T	d	Hole Machined Type	Unit Price
Type	No.					E1	1~4 pc(s). FRVF FRVFA
FRVF FRVFA	10A	70	50	8	10	17.8	
	20A	80	60	8	10	27.7	
	25A	90	70	8	10	34.4	
	40A	105	85	10	10	49.1	
	50A	120	100	10	10	61.1	

For orders larger than indicated quantity, please check with WOS.

Part Number		D	P.C.D	T	d	G1	G2	Hole Machined Type	Applicable O-Ring Size	Unit Price
Type	No.							E1		1~4 pc(s). FRVG FRVGA
FRVG FRVGA	10A	70	50	8	10	24	34	17.8	V24	
	20A	80	60	8	10	34	44	27.7	V34	
	25A	90	70	8	10	40	50	34.4	V40	
	40A	105	85	10	10	55	65	49.1	V55	
	50A	120	100	10	10	70	80	61.1	V70	

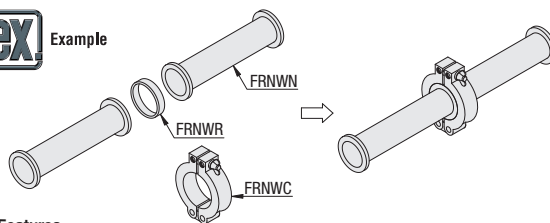
For orders larger than indicated quantity, please check with WOS.



Ordering Example  
Part Number  
**FRNWC25**



Example



**Features**

These vacuum pipes are for auxiliary exhaust system of High Vacuum System or rough vacuum fitting of an Ultrahigh Vacuum System. The plumbing parts of NW (KF) Flanged Type enables frequent attachment/detachment without having to use ISO/KF-compliant tools.

**Specifications**

Dimensions and shapes are compliant with ISO2861/1-1974 - JISB8365: 1988.