


# Temperature Sensors

## Screw Mount, Screw Mount for Moving Parts, Band

Be sure to refer to "Precautions for Use" in the Temperature Sensor Overview on P.1653.

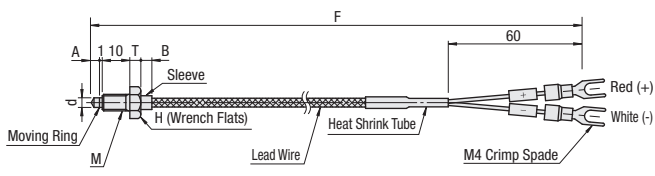
**Screw Mount**



RoHS 10

**MSNDM (K Thermocouple)**

■Features: Easily attachable by cutting a tap on the heated object.




MSNDM		K Thermocouple	
Type of Thermocouple	Precision	JIS Class 2	
Temperature Measurement Contact Point	Temperature Measurement Range	Grounded Type	0 ~ 300°C
Material	Tip Part	(No.6, 8)-SUS304 (Other Than Above) C3604	
	Thread Part	SUS304	
Lead Wire (Operating Temp. Range)	Glass Wool Coating + Outer Shield Winding (0~180°C)		

For No.6-1 and 8-1, enamel wire is wound at the end of sleeve.

Part Number		Thread Size	F	A	B	d	T	H	Unit Price
Type	No.	M	(m)						
MSNDM	6-1	M6x1.0	1	2.8	4	3.8	4	10	
	6	M6x1.0	2	4.5	4	3.5	4	10	
	6-5	M6x1.0	5	2.8	4	3.8	4	10	
	8-1	M8x1.25	1	2.8	4	3.8	5.3	13	
	8	M8x1.25	2	4.5	4	3.5	5.3	13	

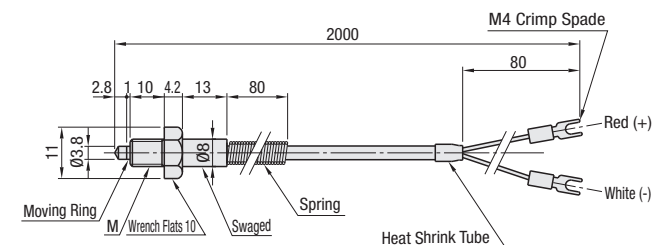
**Screw Mount for Moving Parts**



RoHS 10

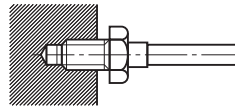
**MFNC (K Thermocouple)**

■Features: Highly flexible silicon covered lead wire is usable in bending applications. (Avoid excessive bending.)




MFNC		K Thermocouple	
Type of Thermocouple	Precision	JIS Class 2	
Temperature Measurement Contact Point	Temperature Measurement Range	Grounded Type	0 ~ 300°C
Material	Thread Part	SUS304	
	Spring	SUS304	
Lead Wire (Operating Temp. Range)	Silicon Coating (0~150°C)		
Lead Wire Minimum Bending R	20		

Part Number		Thread Size	Unit Price
Type	No.	M	
MFNC	6	M6x1.0	



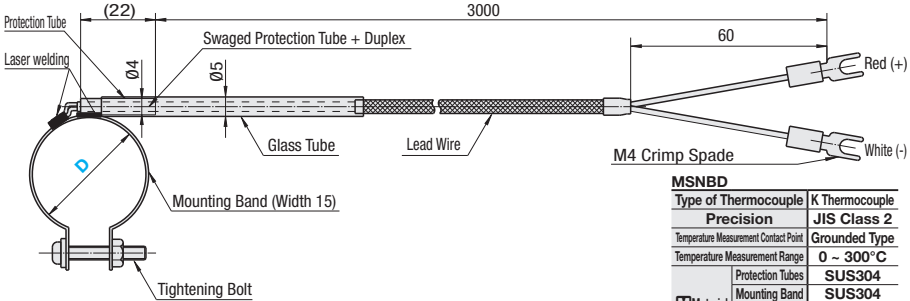
**Band Type**



RoHS 10

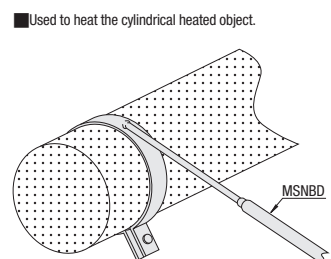
**MSNBD (K Thermocouple)**

■Features: Effective in measuring cylindrical heated objects.



MSNBD		K Thermocouple	
Type of Thermocouple	Precision	JIS Class 2	
Temperature Measurement Contact Point	Temperature Measurement Range	Grounded Type	0 ~ 300°C
Material	Protection Tubes	SUS304	
	Mounting Band	SUS304	
	Tightening Bolt	SUS304	
	Nut	SUS304	
Lead Wire (Operating Temp. Range)	Glass Wool Coating + Outer Shield Winding (0~250°C)		

Part Number		Unit Price
Type	D	
MSNBD	30	
	35	
	40	



Ordering Example

Part Number  
MSNDM6  
MFNC6  
MSNBD30