

Hinge Bases

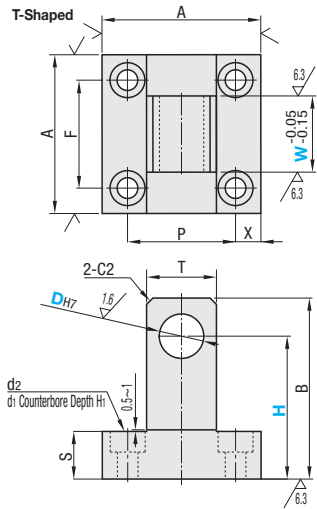
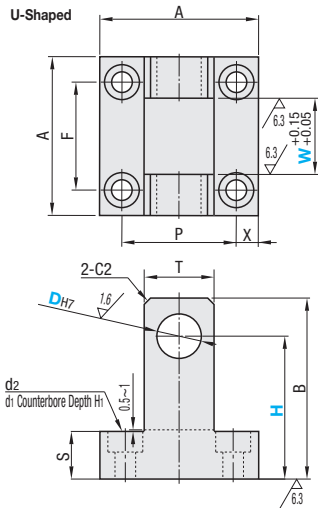
Center Fulcrum 4 Mounting Points

Features: The hinge base can be used as a cylinder mount.



RoHS10

Type		Material	Surface Treatment
U-Shaped	T-Shaped		
HGCTB	HGCNB	S45C	Black Oxide
HGCTM	HGCNM	Equivalent	Electroless Nickel Plating
HGCTS	HGCNS	SUS304	-



25 (6.3 / 1.6)

Part Number Type	D _{H7}	W 1mm Increment	H 5mm Increment	A	F	P	X	B	S	T	d ₂	d ₁	H ₁		
U-Shaped HGCTB HGCTM HGCTS	T-Shaped HGCNB HGCNM HGCNS	3	3~6	15~25	28	18	18	5	H+5	8 10	9	4.5	8	4.5	
		4	4~8	20~30	32	22	22		H+6	12	12				
		5	5~10	25~35					H+8						
		6	6~12	30~40	38	27	27	5.5	H+10	14	16	19	5.5	9.5	5.5
		8	8~16								22				
		10	10~18	35~45	50	35	35	7.5	H+12	15	22	25	6.5	11	6.5
		12	12~30								19				
		13	13~30	40~50	60	40	40	10	H+14	18	30	30	9	14	9
		14	14~24								25				
		15	15~24		65	45	45		H+17						
		16	16~24												
		20	20~30												
		25	25~35												

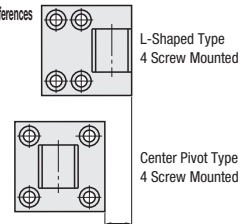


Ordering Example
Part Number - **W** - **H**
 HGCTS20 - W20 - H40
 HGCNB12 - W12 - H35

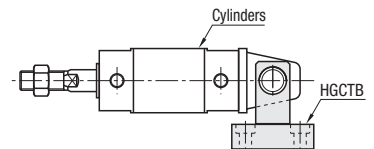


Example

Usage Differences



Interference avoided



D	Unit Price					
	U-Shaped			T-Shaped		
	HGCTB	HGCTM	HGCTS	HGCNB	HGCNM	HGCNS
3						
4						
5						
6						
8						
10						
12						
13						
14						
15						
16						
20						
25						