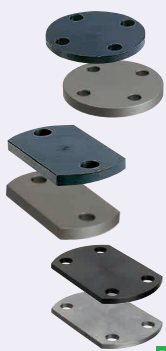


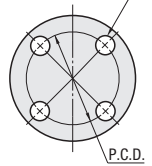
# Backing Plates

■ **Features:** Avoids breakage of operated objects by impact caused by connectors.

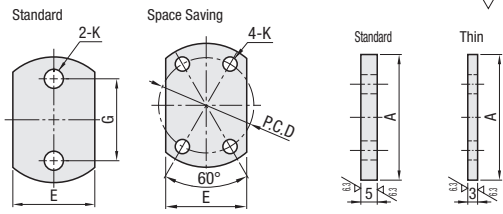


Shape	Type				Material	Hardness	Surface Treatment
	Standard		Wrench Flats				
	Standard	Thin	Standard	Thin			
Standard	BPFA	BPFUA	BPFC	BPFUC	S45C Equivalent SUS440C or 13Cr stainless	40HRC~ 45HRC~	Black Oxide
	BPFAS	BPFUAS	BPFCs	BPFUCs			
Space Saving	BPUA	-	BPUC	BPUUC	S45C Equivalent	40HRC~	Black Oxide

Standard



Wrench Flats



$\nabla 25 / (\nabla 6.3 / \nabla)$

## ■ Floating Joint (for Standard Shape Type) Backing Plates

Part Number	Type	No. (M No.)	A	P.C.D.	E	G	K	Unit Price										
								Standard				Thin						
								BPFA	BPFC	BPFAS	BPFCs	BPFUA	BPFUC	BPFUAS	BPFUCs			
Standard	Standard	3	42	30	24	30	4.5											
		4																
		5	48	34	28	34	6											
		6																
		8																
		10																
		Wrench Flats	Standard	12	54	40	32	40	7									
				14														
				16	70	52	42	52	10									
				18														
20																		
22																		
Wrench Flats	Thin			24	90	68	54	68	12									
				26														
				28	106	80	66	80	14									
				30														
		32																
		34																
		36	116	86	78	86												
		38	134	104	80	104	18											

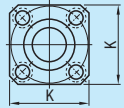
⚠ SUS440C or 13Cr stainless Hardened Type may be discolored due to hardening. ⚠ For floating joints M36, the applicable backing plate is No. 30.

## ■ Floating Joint (for Space Saving Shape Type) Backing Plates

Part Number	Type	No. (M No.)	A	P.C.D.	E	K	Unit Price				
							Standard		Thin		
							BPUA	BPUC	BPUUC		
Standard	Standard	5	34	24	22	4.5					
		6									
		8	40	30	25	6					
		10									
		12									
		14									
		Wrench Flats	Standard	16	62	48	41	7			
				18							
20	74			58	48	10					
22											
24											
26											
28	80			64	54						
30	90			74	64						

Ordering Example  
Part Number  
BPFA18  
BPFA14

Alterations  
Part Number - (AWC)  
BPFA10 - AWC

Alteration	Flange Cut																				
																					
Code	AWC																				
Spec.	<p>Cuts four sides of the flange.                      (Ordering Code) AWC ⚠ Applicable to BPFA and BPFAS only.</p> <table border="1"> <thead> <tr> <th>No.</th> <th>K</th> </tr> </thead> <tbody> <tr><td>3, 4</td><td>32</td></tr> <tr><td>5, 6</td><td>36</td></tr> <tr><td>8</td><td>40</td></tr> <tr><td>10</td><td>42</td></tr> <tr><td>12, 14</td><td>54</td></tr> <tr><td>16, 18</td><td>68</td></tr> <tr><td>20, 22</td><td>80</td></tr> <tr><td>24, 26</td><td>86</td></tr> <tr><td>30</td><td>104</td></tr> </tbody> </table>	No.	K	3, 4	32	5, 6	36	8	40	10	42	12, 14	54	16, 18	68	20, 22	80	24, 26	86	30	104
No.	K																				
3, 4	32																				
5, 6	36																				
8	40																				
10	42																				
12, 14	54																				
16, 18	68																				
20, 22	80																				
24, 26	86																				
30	104																				