

Holder

Compact / L-Shaped

■ **Features:** The holder saves space.

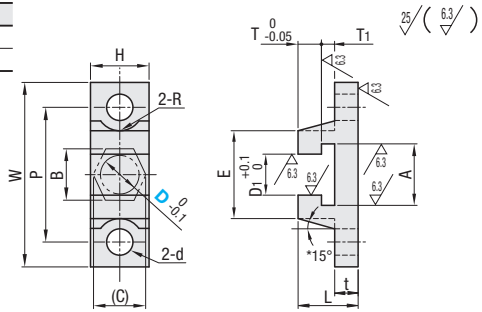
■ Compact



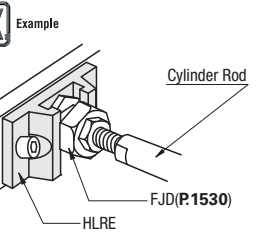
RoHS10

Type	Material	Surface Treatment	Hardness
HLRE	S45C Equivalent	Salt-bath Nitriding	500HV~
HLRESW	SUS304	Nitriding Treatment	1000HV~

* D=18, 21 and 25 are straight without taper.
 ⚠ Salt-bath Nitriding may cause uneven color, which doesn't affect mechanical function.
 ⓘ For details of Salt-bath Nitriding, see P1907.



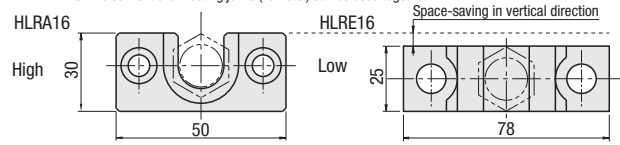
Part Number Type	D	B	(C)	D1	T	T1	W	H	P	R	d	L	t	A	E	Unit Price			
																HLRE	HLRESW		
HLRE HLRESW	7	10	11.5	8	4	4.5	45	12	32	5	4.5	13.5	5	13	20				
	8	12	13.9	9			48	14	34	5.5	5.5	14.5		6	15.4	22			
	10	14	16.2	11			52	16.5	38	7	6.8	16.5			17.5	24			
	13	17	19.6	14	8	8	8	9	10	11	22.5	10	10	25.5	39	28.5	50		
	16	21	24.2	18															
	18	23	26.6	20	12	15	5.5	90	26.5	66			28.5	12	28.5	50			
	21	26	30	23				96	29	72							31.5	56	
25	30	34.6	27	104				32.5	80	11.5	13	35.5	15	35.2	64				



Ordering Example
 Part Number
 HLRE8

■ Features

1. In comparison with the conventional holder (HLRA), overall height (H dimension) is lower.
2. The holder saves space.
3. The conventional floating joints (FJR etc.) can be used together.

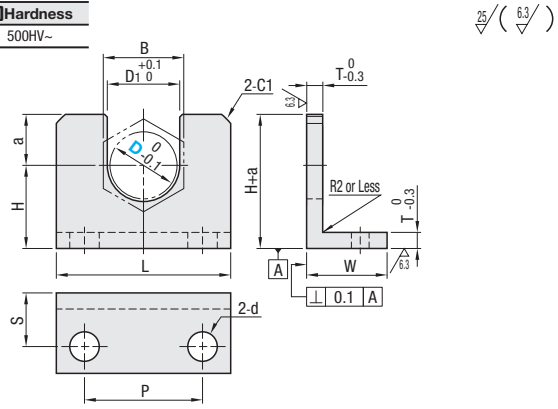


■ L-Shaped

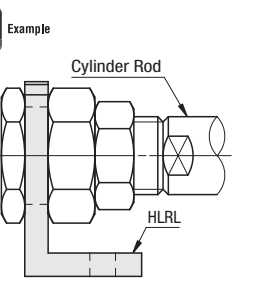


Type	Material	Surface Treatment	Hardness
HLRL	SS400	Salt-bath Nitriding	500HV~

⚠ Salt-bath Nitriding may cause uneven color, which doesn't affect mechanical function.
 ⓘ For details of Salt-bath Nitriding, see P1907.



Part Number Type	D	H	B	D1	T	L	W	a	P	S	d	Unit Price				
												HLRL				
HLRL	7	20	10	8	6	19	22	6	10	14	4.5					
	8	25	12	9								22	7	12		
	10	30	14	11								25	8	14		
	13	35	17	14	8	32	32	12	26	20	6.5					
	16	40	21	18								38	14	34		
	18	45	23	20	10	60	40	19	40	25	11					
	21	50	26	23								50	15	34		
25	55	30	27	60								19	40			



Ordering Example
 Part Number
 HLRL10