

Floating Joints - Quick Connection Type

[Tapped] Cylinder Connector Fixed

■ **Features:** The tip is a connector connected to threaded cylinder rod. It is a low-priced fixed type.

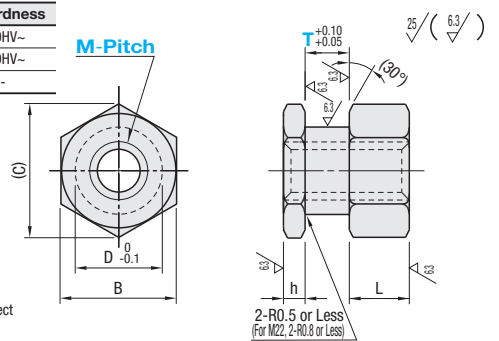


Type	Material	Surface Treatment	Hardness
FJG	S45C Equivalent	Hard Chrome Plating	750HV~
FJR	S45C Equivalent	Salt-bath Nitriding	500HV~
FJRSS	SUS304	-	-

☞ For FJR/SW, see eCatalog.

☞ Salt-bath Nitriding may cause uneven color, which doesn't affect mechanical function.

☞ For details of Salt-bath Nitriding, see P.1907.



RoHS10

Fixed

Part Number	Type	M-Pitch	T *Specification not required for FJG.	L	h	D	B	C	Unit Price			Applicable Holder							
									FJG	FJR	FJRSS	HLRA P.1533	HLRB P.1535	HLRC P.1534	HLRE P.1536				
FJG FJR FJRSS	3-0.5	4	5	6	8	9.2						HLRA6	HLRB6	HLRC6	-				
	4-0.7	6	6	7	10	11.5						HLRA7	HLRB7	HLRC7	HLRE7				
	5-0.8		7	8	12	13.9						HLRA8	HLRB8	HLRC8	HLRE8				
	6-1.0		8	10	14	16.2						HLRA10	HLRB10	HLRC10	HLRE10				
	8-1.0	8	9	13	17	19.6						HLRA13	HLRB13	HLRC13	HLRE13				
	8-1.25		4	11	16	21	24.2						HLRA16	HLRB16	HLRC16	HLRE16			
	10-1.25																HLRA18	HLRB18	HLRC18
	12-1.25															HLRA21	HLRB21	HLRC21	HLRE21
	12-1.5															HLRA25	HLRB25	HLRC25	HLRE25
	14-1.5	12	13	21	26	30													
	16-1.5		15	5	25	30	34.6												
	18-1.5																		
	22-1.5	20	17	6	27	32	36.9												
													HLRA27	-	HLRC27	-			

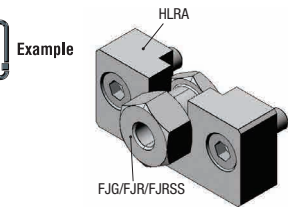
☞ FJG is a floating connector for air cylinders.



Ordering Example
Part Number - **T**
FJG8-1.25
FJR5-0.8 - **6**
FJRSS4-0.7 - **4**

Features for new standard "FJG"

- Global standard supported internationally
- Low price is realized through mass production.
- Plating makes the external quality superior to the previous products.



T Selectable Type

Part Number	Type	M-Pitch	T Selection												L	h	D	B	(C)	Unit Price														
			FJR						FJRSS											FJR	FJRSS													
FJR FJRSS	3-0.5	2	3	5	6									3		5	6	8	9.2															
	4-0.7	2	3	5	6	8								3	5	6	8		6	7	10	11.5												
	5-0.8	3	4	5	8	9	10							3	4	5	8	9	10	7	8	12	13.9											
	6-1.0	3	4	5	8	9	10	12						4	5	8			8	10	14	16.2												
	8-1.0	4	5	6	9	10	12	13	15	16					5	6	12			9	13	17	19.6											
	8-1.25																																	
	10-1.25																																	
	10-1.5	4	5	6	9	10	12	13	15	16	19	20			6	9	10	12		11	4	16	21	24.2										
	12-1.25																																	
	12-1.5																																	
	14-1.5																									8	9	10	16	19	13	21	26	30
	16-1.5																																	
	18-1.5																																	
	22-1.5																																	

☞ For compatible holders, see HLRAF (P.1533).



Ordering Example
Part Number - **T**
FJR5-0.8 - **8**
FJRSS4-0.7 - **8**