

Small Switching Valves

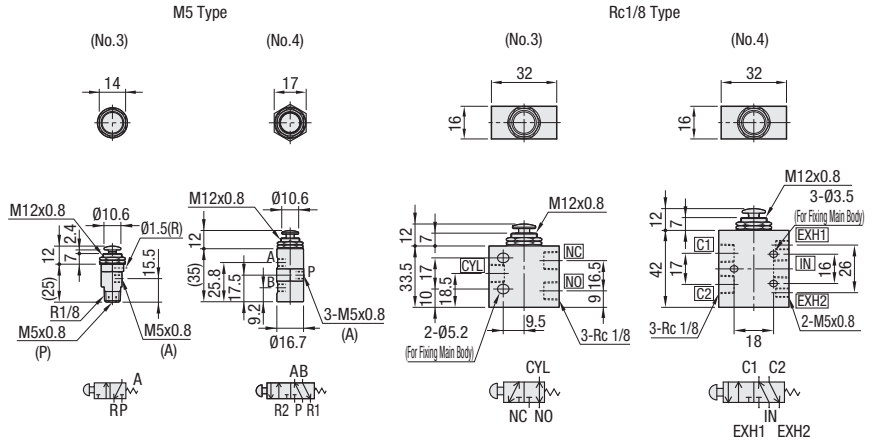
Button Type / Toggle Type

Button Type



RoHS10

MSHRP (M5 Connection Type)
MSHBP (Rc1/8 Connection Type)



Material: Body: Brass (Surface Treatment: Electroless Nickel Plating), Push Button: SUS303

Button operation is momentary (spring return).
Reference value for button pressure: 11 N (the same for No. 3 and 4)

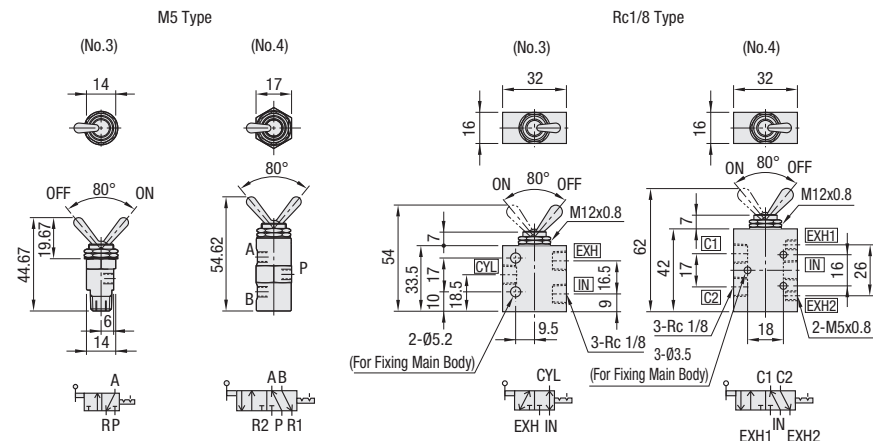
Part Number Type	No.	Direction	Number of Ports	Pipe Connection Bore Dia.		Number of Positions	Effective Sectional Area (mm ²)	Mass (g)	Unit Price
				IN, OUT	EX				
MSHRP	3	3	3	M5	1.5	2	1.8	30	
	4	4	5				1.9	60	
MSHBP	3	3	3	Rc1/8	M5	2	4.5	130	
	4	4	5				5.5	160	

Toggle Type



RoHS10

MSHRT (M5 Connection Type)
MSHBT (Rc1/8 Connection Type)



Material: Body: Brass (Surface Treatment: Electroless Nickel Plating), Toggle: SUM24

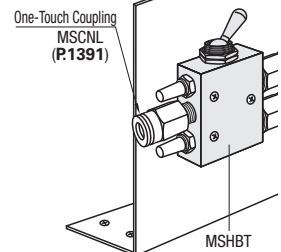
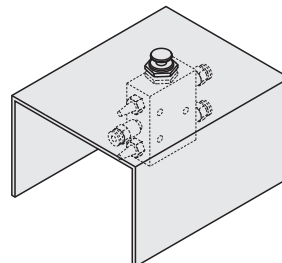
Toggle position is retaining type.

Toggle Type body is same shape / dimension as Button Type. For detailed body dimensions, please see above Button Type (MSHRP, MSHBP) Drawings.

Part Number Type	No.	Direction	Number of Ports	Pipe Connection Bore Dia.		Number of Positions	Effective Sectional Area (mm ²)	Mass (g)	Unit Price
				IN, OUT	EX				
MSHRT	3	3	3	M5	1.5	2	1.8	30	
	4	4	5				1.9	60	
MSHBT	3	3	3	Rc1/8	M5	2	4.5	130	
	4	4	5				5.5	160	

Ordering Part Number
Example MSHRP3
MSHBP4

EX Example



Specifications	Applicable Fluid
	Air
	Operating Pressure Range 0-0.9MPa
	Operating Temp. Range 5-60°C (No Freezing)