
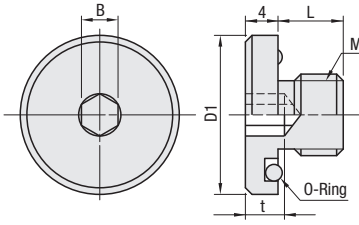


# Seal Plugs / Lubrication-Free Seals

**Seal Plugs** **FSPS**


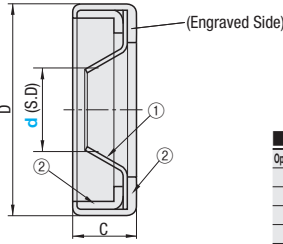
Operating Temperature Range: -40 ~ 200°C  
 Material: Body: SUS304  
 O-Ring: Fluoro Rubber (H Hardness Shore A75)  
 (JIS B2401 Class 4 D)

Part Number		M (Fine)	L	D1	B	t	O-Ring No.	Recommended Tightening Torque (N·m)	Mass (g)	Unit Price	
Type	No.									1 ~ 9 pc (s).	10~50
FSPS	8	M 8x1.0	7	16	5	3.5	P10	10.9	4		
	10	M10x1.0	8	19.5	5	4	P12.5	13.7	7		
	12	M12x1.5	12	21	6	5	P14	19.2	14		
	14	M14x1.5	12	23	6	5	P16	27.4	19		
	16	M16x1.5	12	25	8	6	P18	44.5	25		

 **Ordering Example** **Part Number**  
**FSPS10**

**Lubrication-Free Seals**

Type	Material		Applications
	① Resin Part	② Metal Part	
<b>MFHN</b>	Polytetrafluoroethylene (PTFE)	SUS304	Rotary Motion





**Conditions of Use**

Operating Temperature Range	-60~200°C
Operating Pressure	0.03MPa or Less
Wind Velocity	30m/sec. or Less
Shaft Tolerance	h7 (or g6)
Shaft Coarseness	Ra:0.2~0.45µm Rz:0.8~1.8µm
Sealed Substance	High Temperature Vapor, Water, Chemicals, Oil

**RoHS 10**

Part Number		D		C		Unit Price
Type	d					
MFHN	10	25	+0.09 +0.04	7.0	±0.3	
	12					
	15					
	20	40	+0.11 +0.05	11.0	±0.4	
	25					
	30					
	35					
	40	62	+0.14 +0.06	12.0		
	50					

 **Ordering Example** **Part Number**  
**MFHN25**