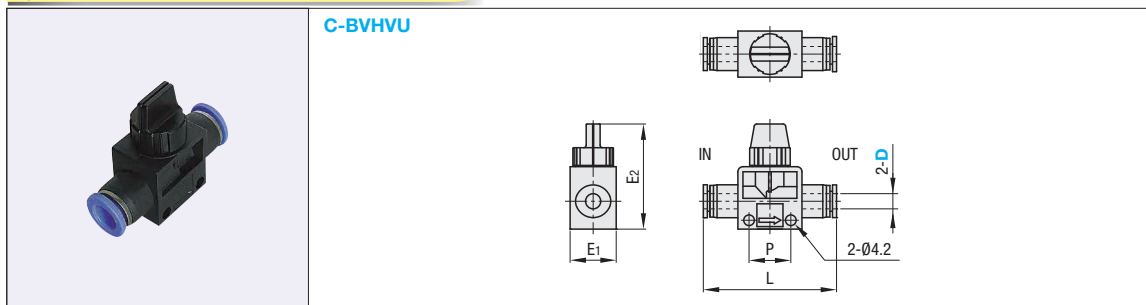
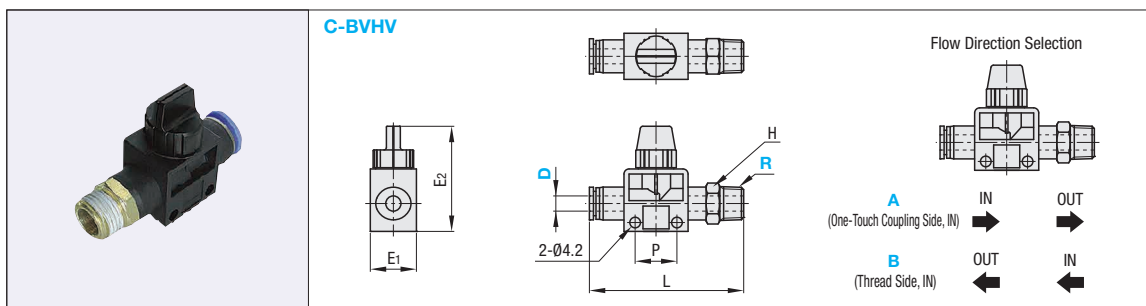


Comparison points with similar parts | Not RoHS Compliant

Page of similar parts P.1409



Part Number		2-Way / 3-Way Valve Selection	L	P	E1	E2	Unit Price
Type	D						
C-BVHVU	6	2 (2-Way Valve) (Blue Lever)	51.6	16.5	18	41.5	
	8		52.6	16.5	18	41.5	
	10	3 (3-Way Valve) (Black Lever)	63.7	21.5	22	46	
	12		64.1	21.5	22	46	



Part Number		R (PT) Selection	2-Way / 3-Way Valve Selection	Flow Direction	L	P	H	E1	E2	Unit Price
Type	Applicable Tube Outer Dia. D									
C-BVHV	6	1 (R1/8)	2 (2-Way Valve) (Blue Lever)	A (One-Touch Side → Thread Side)	58.3	16.5	12	18	41.5	
	8	2 (R1/4)	3 (3-Way Valve) (Black Lever)	B (Thread Side → One-Touch Side)	60.9	16.5	14	19	41.5	



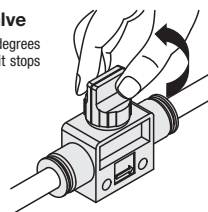
Ordering Example: Part Number - 2-Way / 3-Way Valve Selection, R (RT) Selection - 2-Way / 3-Way Valve Selection - Flow Direction

C-BVHVU8 - 3 - 3 - B

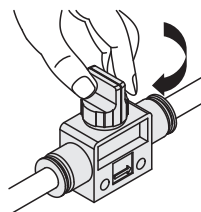
C-BVHV6 - 2 - 3 - B



1. To open a valve
Turn the cap lever 90 degrees counterclockwise until it stops to let air flow.



2. To close a valve
Turn the cap lever 90 degrees clockwise until it stops to stop the air flow. For a 3-way valve, at the same time as when the cap lever is turned to the limit, residual pressure on the OUT side is exhausted from between the equipment and the cap lever.



Specifications

Applicable Fluid	Air
Max. Operating Pressure	1.0MPa
Operating Vacuum Level	-100kPa
Operating Temperature Range*	0-60°C

* No Freezing