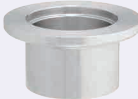
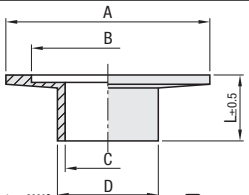

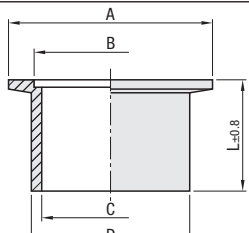

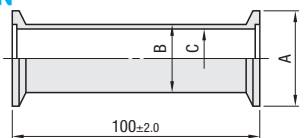

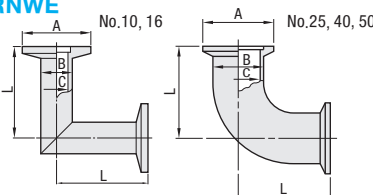

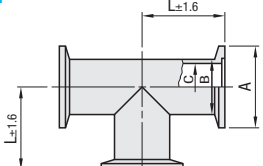

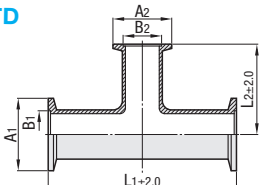

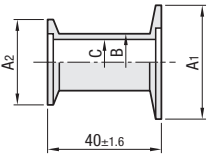


# Fittings for Vacuum Plumbing

## NW (KF) Flanged

<p><b>NW Flanged</b></p>  <p>RoHS10</p>	<p><b>FRNWF</b></p>  <p>Max. Operation Temperature: 200°C <span style="float: right;">Material: SUS304</span></p>
<p><b>NW Long Flanged</b></p>  <p>RoHS10</p>	<p><b>FRNWL</b></p>  <p>Max. Operation Temperature: 200°C <span style="float: right;">Material: SUS304</span></p>
<p><b>Nipple</b></p>  <p>RoHS10</p>	<p><b>FRNWN</b></p>  <p>Max. Operation Temperature: 200°C <span style="float: right;">Material: SUS304</span></p>
<p><b>Elbow</b></p>  <p>RoHS10</p>	<p><b>FRNWE</b></p>  <p>Max. Operation Temperature: 200°C <span style="float: right;">Material: SUS304</span></p>
<p><b>Tees</b></p>  <p>RoHS10</p>	<p><b>FRNWT</b></p>  <p>Max. Operation Temperature: 200°C <span style="float: right;">Material: SUS304</span></p>
<p><b>Reducing Tees</b></p>  <p>RoHS10</p>	<p><b>FRNWTD</b></p>  <p>Max. Operation Temperature: 200°C <span style="float: right;">Material: SUS304</span></p>
<p><b>Reducer</b></p>  <p>RoHS10</p>	<p><b>FRNWJ</b></p>  <p>Max. Operation Temperature: 200°C <span style="float: right;">Material: SUS304</span></p>

Part Number		A	B	C	D	L	Unit Price
Type	No.						Qty. 1 ~ 10
FRNWF	10	30	12.2	10.0	13.8	20	
	16	30	17.2	17.5	21.7		
	25	40	26.2	23.0	27.2		
	40	55	41.2	37.1	42.7		
	50	75	52.2	54.9	60.5		

For some sizes of NW Flanged type, the actual groove shape may be different from that shown on the drawing.  
For orders larger than indicated quantity, please check with WOS.

Part Number		A	B	C	D	L	Unit Price
Type	No.						Qty. 1 ~ 10
FRNWL	10	30	12.2	10.0	13.8	50	
	16	30	17.2	17.5	21.7		
	25	40	26.2	23.0	27.2		
	40	55	41.2	37.1	42.7		
	50	75	52.2	54.9	60.5		

For some sizes of NW Flanged type, the actual groove shape may be different from that shown on the drawing.  
For orders larger than indicated quantity, please check with WOS.

Part Number		A	B	C	Unit Price
Type	No.				Qty. 1 ~ 10
FRNWN	10	30	13.8	10.0	
	16	30	21.7	17.5	
	25	40	27.2	23.0	
	40	55	42.7	37.1	
	50	75	60.5	54.9	

For orders larger than indicated quantity, please check with WOS.

Part Number		A	B	C	L±2.0	Unit Price
Type	No.					Qty. 1 ~ 10
FRNWE	10	30	13.8	10	40	
	16	30	21.7	16	40	
	25	40	27.2	23	50	
	40	55	42.7	37.1	65	
	50	75	60.5	54.9	80	

For orders larger than indicated quantity, please check with WOS.

Part Number		A	B	C	L	Unit Price
Type	No.					Qty. 1 ~ 10
FRNWT	10	30	13.8	10	40	
	16	30	21.7	16	40	
	25	40	27.2	23	50	
	40	55	42.7	37.1	65	
	50	75	60.5	54.9	80	

For orders larger than indicated quantity, please check with WOS.

Part Number		A <sub>1</sub>	B <sub>1</sub>	L <sub>1</sub>	A <sub>2</sub>	B <sub>2</sub>	L <sub>2</sub>	Unit Price
Type	No.							Qty. 1 ~ 4
FRNWTD	25-16	40	27.2	97.2	30	21.7	48.6	
	40-25	55	42.7	135.2	40	27.2	67.6	

For orders larger than indicated quantity, please check with WOS.

Part Number		A <sub>1</sub>	A <sub>2</sub>	B	C	Unit Price
Type	No.					Qty. 1 ~ 10
FRNWJ	25-10	40	30	13.8	10.0	
	25-16	40	30	21.7	17.5	
	40-16	55	30	21.7	17.5	
	40-25	55	40	27.2	23.0	
	50-25	75	40	27.2	23.0	

For orders larger than indicated quantity, please check with WOS.



Ordering Example

Part Number  
**FRNWF16**