


Vacuum Plumbing Parts


NW (KF) Flexible Tubes

■ **Related Products:** For O-Ring of large diameter, refer to **P.1429**.


■ **Standard**




■ **Compact**



■ **Connected with Stainless Steel Pipe**



■ **JIS Flanged**

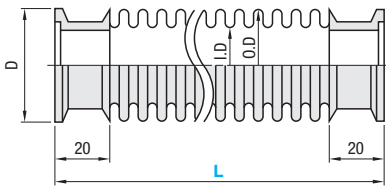


RoHS10

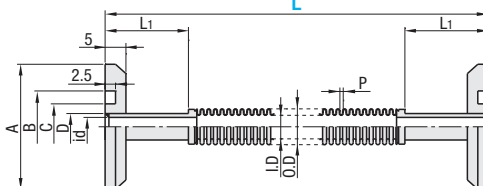
Type	Material	Standards	Operating Pressure	Allowable Leak Amount	Max. Operating Temp.	Features
FRNW	SUS304	ISO2861/1-1974	0.1MPa~0.1MPa	1×10 ⁻⁹ Torr-ℓ/sec or lower	200°C	These vacuum pipes are for auxiliary exhaust system of High Vacuum System or rough vacuum fitting of an Ultrahigh Vacuum System. The flexibility of the tube enables it to absorb the vibration from vacuum pumps and vacuum system to weaken the swing of vacuum fittings. Distance adjustment is available due to its flexibility of length.
FRNFR	*	Compliant with JISB8365: 1988.				
FRNFC	*					
FRNFS	SUS316L					

* Flexible Hose, Pipe: SUS316L. NW Flange: SUS304

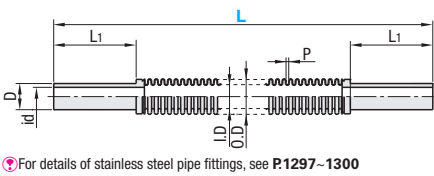
FRNW (Standard)



FRNFC (Compact)

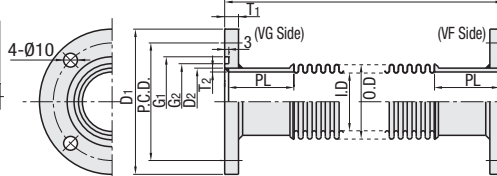


FRNFS (Connected with Stainless Steel Pipe)



☞ For details of stainless steel pipe fittings, see **P.1297~1300**

FRNFR (JIS Flanged)



■ **How to Connect**

• Flanged connection at one side VG and the other side VF. Both ends fixed flange.

■ **Applicable O-Ring Specifications**

No.	O-Ring Size	Material
20	V34	NBR/Viton
25	V40	NBR/Viton
40	V55	NBR/Viton
50	V70	NBR/Viton

Part Number		L 50mm Increment	I.D	O.D	D	Min. Bending Radius (mm)	Unit Price 1 ~ 4 pc(s).					
Type	No.						L100, 150	L200, 250	L300~2000			
		Unit Price		Additional Tube Price /50mm								
FRNW	10	100~200	12.5	16.5	30	40						
	16		21.5	28.5	30	50						
	25		26.5	36.5	40	70						
	40		41.5	54	55	100						
	50		50.5	65	75	120						

☞ When L≥300: Total Price = Unit Price + [(Specified L Dimension - 300) / 50] x Tube Price/50mm

Part Number		L 50mm Increment	A	B	C	D	I.D	O.D	P	id	L1	Min. Bending Radius (mm)	Unit Price 1 ~ 4 pc(s).			
Type	No.												L100, 150	L200, 250	L300~1000	
		Unit Price		Additional Tube Price /50mm												
FRNFC	16	100~1000	30	17.2	11	6.35	5.5	8.5	1.6	4.5	20	25				
	25		40	26.2	20	9.52	10	13.5	2.5	7	25	25				
	40		55	41.2	35	12.7	12.5	16.5	2.8	10	30	40				

☞ When L≥300: Total Price = Unit Price + [(Specified L Dimension - 300) / 50] x Tube Price/50mm

Part Number		L 50mm Increment	D	I.D	O.D	P	id	L1	Min. Bending Radius (mm)	Unit Price 1 ~ 4 pc(s).			
Type	No.									L100, 150	L200, 250	L300~1000	
		Unit Price		Additional Tube Price /50mm									
FRNFS	16	100~1000	6.35	5.5	8.5	1.6	4.5	20	25				
	25		9.52	10	13.5	2.5	7	25	25				
	40		12.7	12.5	16.5	2.8	10	30	40				

☞ When L≥300: Total Price = Unit Price + [(Specified L Dimension - 300) / 50] x Tube Price/50mm

Part Number		L 50mm Increment	I.D	O.D	D1	D2	T1	T2	G1	G2	P.C.D.	PL	Unit Price 1 ~ 4 pc(s).			
Type	No.												L100, 150	L200, 250	L300~1000	
		Unit Price		Additional Tube Price /50mm												
FRNFR	20	100~1000	26.5	36	80	27.2	8	2.1	44	34	60	30				
	25	150~1000	33	44	90	34	8	2.8	50	40	70	50				
	40	150~1000	50.5	65	105	48.6	10	2.8	65	55	85	50				
	50	150~1000	66	86	120	60.5	10	2.8	80	70	100	50				

☞ When L≥300: Total Price = Unit Price + [(Specified L Dimension - 300) / 50] x Tube Price/50mm



Ordering Example
Part Number - **L**
FRNW10 - **200**