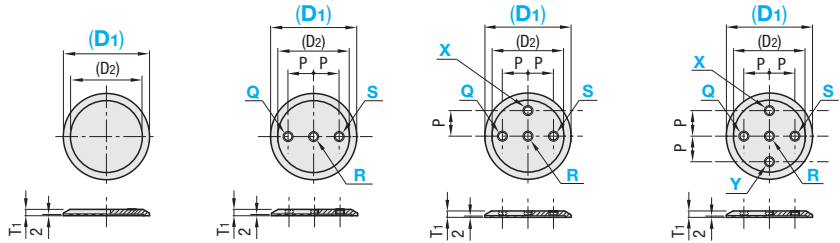


Lids for Pressure Tanks / Tank Clamps / Relief Valves

■ For Pressure Tank O-Rings, see NGA and NGB on P.1426.

■ Lids for Pressure Tanks RoHS10

Type	Material	Surface Finish	Normal Operating Pressure
TNKKH	SUS304	Buffing Outer Surface: #400 Equivalent	0.5MPa or Lower



Part Number	Number of Holes	For 3 ~ 5 Holes * RC (PT): Q, R, S, X, Y	(D2)	T1	P	Applicable O-Ring	Weight (kg)	Unit Price 1 ~ 3 pc(s).			
								Number of Holes			
Type	(D1)							0 Hole	3 Holes	4 Holes	5 Holes
TNKKH	120	0	103	10	30	G105	0.62				
	135	3	118	40		G120	0.8				
	160	4	143		G145	1.42					
	190	5	166	12	G170	2.18					



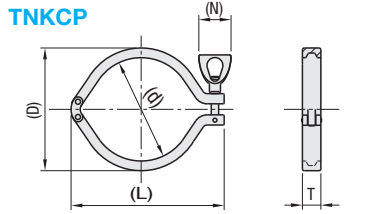
Ordering Example Part Number - Number of Holes - Q - R - S - X - Y

No Hole TNKKH120 - 0
3 Holes TNKKH160 - 3 - Q2 - R3 - S3
5 Holes TNKKH190 - 5 - Q1 - R2 - S3 - X2 - Y2

⚠ For Number of Holes Selectable Type, choose between Q ~ Y according to the number of holes. Specify up to S for 3 holes, up to Y for 5 holes.

⚠ To specify * marked Q, R, S, X and Y, use the numbers in front of (): 1, 2, 3.
⚠ For orders larger than indicated quantity, please check with WOS.

■ Tank Clamps RoHS10



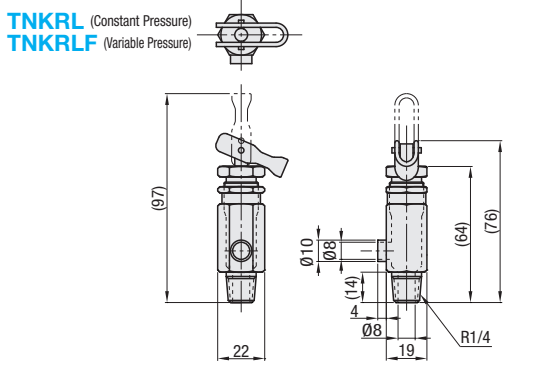
Part Number	No.	(D)	(d)	(L)	T	(N)	Unit Price Qty. 1 ~ 3
TNKCP	90A	133	112	166	20	35	
	100A	149	128	184	20.7		
	125A	174	150	212	25	42	
	150A	204	180	246			



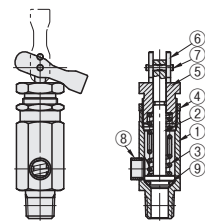
Ordering Example Part Number TNKCP125A

⚠ For orders larger than indicated quantity, please check with WOS.

■ Relief Valves RoHS10



■ Structure Diagram



■ Parts and Materials

No.	Part Name	Material
①	Body	SUS316
②	Stem	SUS316
③	Spring	SUS316-WPA
④	Lock Nut	SUS316
⑤	Lock Cap	SUS316
⑥	Stopper	SUS316
⑦	Pin	SUS316
⑧	Hose End	SUS316
⑨	O-Ring	Fluororubber

• Specifications

Applicable Fluid: Compressed Air, Compressed Nitrogen and Other Gases

Set Pressure:

Low Pressure Use: 0.05 ~ 0.25MPa

High Pressure Use: 0.3 ~ 0.6MPa

*Pressure is variable by customers for Constant Pressure Type.

■ Cautions on Installation and Operation

• Install in a place which is not subject to vibration.

• Do not squeeze the pipe to the connecting port in the halfway.



Ordering Example Part Number TNKRL0.2 TNKRLF0.5