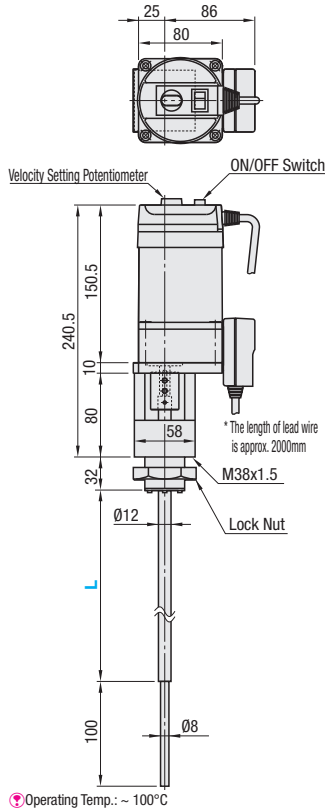


# Agitators / Agitator Blades

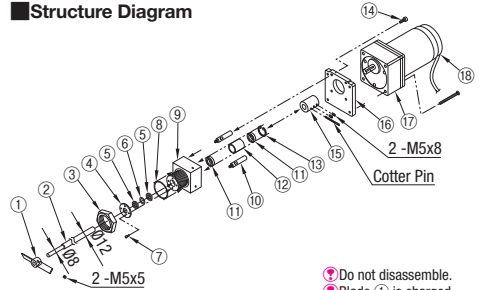
## TNKAKU



## Component List

| No | Part Name              | Material    | Quantity |
|----|------------------------|-------------|----------|
| 1  | Agitation Blade        | SUS304      | 1        |
| 2  | Agitation Shaft        | SUS304      | 1        |
| 3  | Fixing Nut             | SUS304      | 1        |
| 4  | Sealing Cap            | SUS304      | 1        |
| 5  | Back-Up Ring           | PTFE        | 2        |
| 6  | Seal for O-Ring        | Viton       | 1        |
| 7  | Cap Screw              | SUS304      | 4        |
| 8  | Seal for O-Ring        | Viton       | 1        |
| 9  | Bearing Housing        | AL, Anodize | 1        |
| 10 | Shaft for Motor Fixing | SUS304      | 4        |
| 11 | Bearing                | SUS304      | 2        |
| 12 | Bearing Spacer         | SS          | 1        |
| 13 | C-Ring                 | SS          | 1        |
| 14 | Cap Screw              | SUS304      | 4        |
| 15 | Coupling               | SUS304      | 1        |
| 16 | Motor Base             | AL          | 1        |
| 17 | Gear Head              | -           | 1        |
| 18 | Electric Motor         | -           | 1        |

## Structure Diagram



- Do not disassemble.
- Blade ① is charged separately. See below.

## L Dimension Compatibility Chart

| Shaft L Dimension | Applicable Tank      |
|-------------------|----------------------|
| 105               | TNKBKA2.9            |
| 119               | TNCKKA4              |
| 136               | TNKBKA4.7            |
| 146               | TNCKKA5.9            |
| 185               | TNKBKA10, TNCKKA12.7 |

RoHS 10

Operating Temp.: ~ 100°C

## Motor Specifications

| Part Number |                           | Selectable L Dimension | Unit Price Qty. 1 - 3 |
|-------------|---------------------------|------------------------|-----------------------|
| Type        | Gear Head Reduction Ratio |                        |                       |
| TNKAKU      | 5                         | 105 119 136 146 185    |                       |
|             | 9                         |                        |                       |

| Power Supply | Maximum Voltage | Current | Rotational Speed r/min | Gear Head Reduction Ratio |     |                  |      |      |
|--------------|-----------------|---------|------------------------|---------------------------|-----|------------------|------|------|
|              |                 |         |                        | Variable Speed Range      |     | Allowable Torque |      |      |
|              |                 |         |                        | 5                         | 9   | 5                | 9    |      |
| AC100V       | 25W             | 0.7A    | 90                     | 18                        | 10  | 0.18             | 0.33 |      |
|              |                 |         | 1200                   | 50Hz                      | 280 | 156              | 0.62 | 1.2  |
|              |                 |         |                        | 60Hz                      | 300 | 167              | 0.49 | 0.87 |



Ordering Example

Part Number - L  
TNKAKU5 - 119

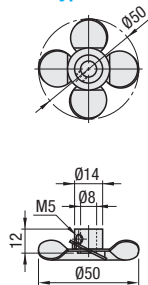
## HANE



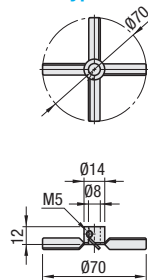
RoHS 10

Material: SUS304 Accessory: Nut (SUS304)

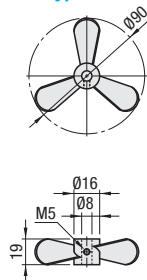
### Type A



### Type B



### Type C



| Part Number | Type | Unit Price Qty. 1 - 5 |
|-------------|------|-----------------------|
| HANE        | A    |                       |
|             | B    |                       |
|             | C    |                       |



Ordering Example

Part Number - Type  
HANE - A