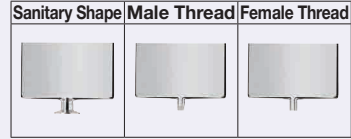
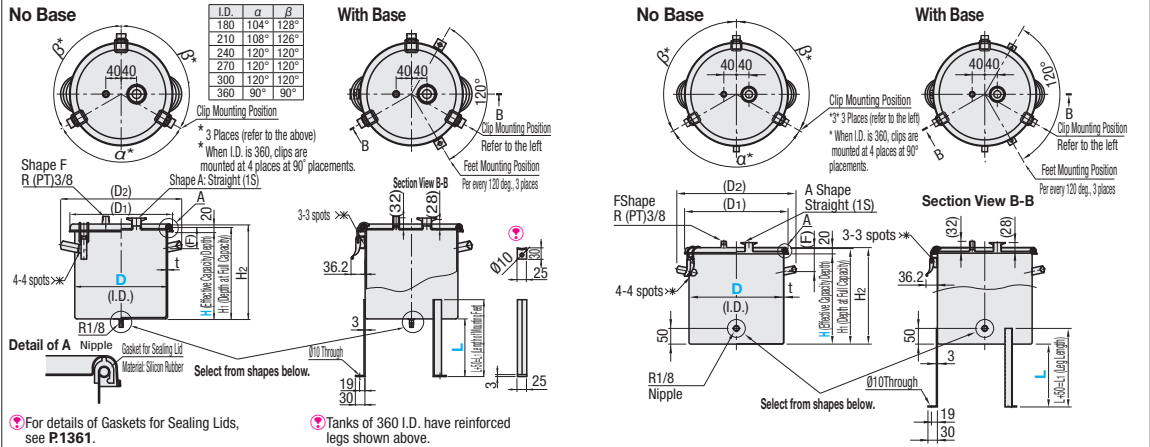


# Sealable Open-Top Tanks - Outlet Config. Selectable

## Bottom Discharge / Side Discharge



Type	Type				Material			Surface Finish	Normal Operating Pressure
	Bottom Discharge		Side Discharge		Main Body	Carrying Handle	Lid		
No Base	TANSM	TANSMF	TANYM	TANYMF	SUS304			Buffered (main body only) Inner & Outer Surface: #320 Except weld bead portion on liquid outlet (joint portion)	Atmospheric Pressure
With Base	TANSAM	TANSAMF	TANYAM	TANYAMF					



Sanitary Outlet Shape	Male Thread Outlet Shape			Female Thread Outlet Shape	
A Shape: Straight (1S)	D Shape: R (PT) 1/8	E Shape: R (PT) 1/4	F Shape: R (PT) 3/8	G Shape: Rc (PT) 1/4	H Shape: Rc (PT) 3/8

Part Number	Type	Provided Effective Capacity Depth (H)		Tank Bottom Height (L)	Outlet Config. Selectable		Effective Capacity Fixed (L)		t	H <sub>1</sub>	(H <sub>2</sub> )	(D <sub>1</sub> )	(D <sub>2</sub> )	(F)	Weight (kg)
		Fixed	Specify in 10mm increments * For "Depth Configurable Type" only		10mm Increment * For "With Base Type" only	Bottom Discharge	Side Discharge	Effective Capacity							
180	Bottom Discharge	180	160	100-300	A	A	4.1	4.6	0.7	H+20	H+4	206	249	1.3	
210	Bottom Discharge	210	190	100-300	D	D	6.6	7.3			H+6	234	282	55	1.6
240	Bottom Discharge	240	220	100-350	E	E	9.9	10.9			H+7	269	315	2	2
270	Bottom Discharge	270	250	100-350	F	F	14.3	15.5			H+6	297	350	70	2.7
300	Bottom Discharge	300	280	100-400	G	G	19.8	21.2			H+6	330	380	70	3.2
360	Bottom Discharge	360	340	100-450	H	H	34.6	36.6			0.9	H+6	390	469	70

Effective Capacity (L) = Radius (D/2) x Radius (D/2) x 3.14 x Depth at Effective Capacity (H) / 1000000 (converted to capacity).  
Full capacity level is a theoretical value that is obtained by calculation (base area x H<sub>1</sub> depth). Use within the effective H depth (up to -20mm from upper surface).

I.D. (D)	Body Price 1 ~ 3 pc(s).			Shape Charge	
	Depth Fixed	Depth Configurable	Unit Price Depth at Effective Capacity (H) (H=100 ~ 140)	A	D-F G-H
180					
210					
240					
270					
300					
360					

Base Price 1 ~ 3 pc(s).		
Tank Bottom Height (L)	Leg Length (L <sub>1</sub> )	Base Price
100-200	L+50	
210-300		
I.D. 360		

The price of With Base Type is Body Price + Shape Charge shown above plus Base Price indicated on the right.  
For orders larger than indicated quantity, please check with WOS.

Ordering Example: Part Number - Effective Depth - Tank Bottom Height - Outlet Config. Selectable

TANSM210 - 300 - L250 - A

TANSAM240 - 300 - L200 - E

TANSAMF180 - 300 - L200 - H

Alterations Example: Part Number - Effective Depth - Tank Bottom Height - Outlet Config. Selectable - (LG)

TANSM210 - 300 - L200 - A - LG

TANSAMY180 - 300 - L200 - H - LG

