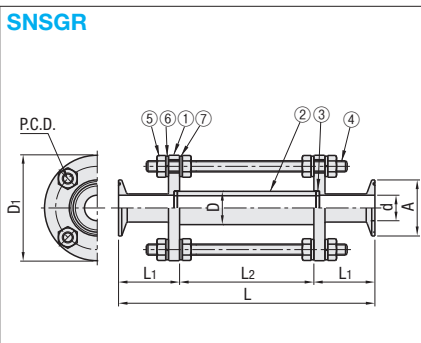
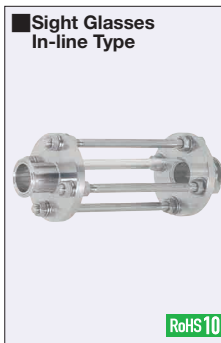


Sanitary Sight Glasses / Sanitary Pressure Gauges / Showerballs

In-line / View Port



Part Number	Type	No.	A	d	D	D1	P.C.D.	L	L1	L2	Unit Price Qty. 1	Volume Discount Rate 2-3
SNSGR	1S	50.5	23	30	95	75	231			121		
	1.5S	35.7	45	115	90		306	55		196		
	2S	64	47.8	60	120	95						

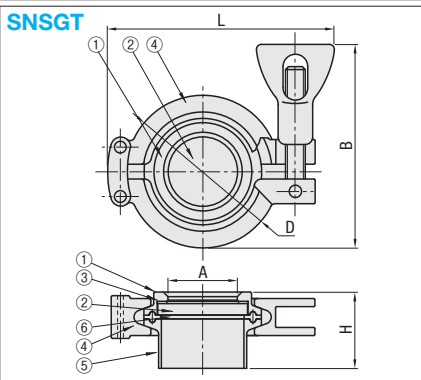
For orders larger than indicated quantity, please check with WOS.

Parts and Materials

Part No.	Part Name	Material
①	Flanged Joint	SUS304
②	Glass Pipe	Pyrex
③	Gaskets	EPDM
④	Stud Bolt	SUS304
⑤	Nut	SUS304
⑥	Spring Washer	SUS304
⑦	Plain Washer	SUS304

Features

Useful to see fluid state inside glass pipe.



Part Number	Type	No.	A	B	D	L	H	(Ref.) Pressure Resistance (MPa)	Unit Price Qty. 1	Volume Discount Rate 2-5
SNSGT	1.5S	30	88	66	98	36		1.0		
	2S	40	93	80	113	36		0.6		

For orders larger than indicated quantity, please check with WOS.

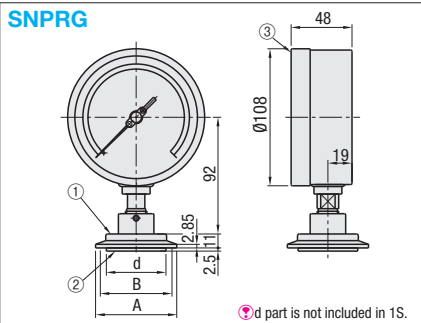
Parts and Materials

Part No.	Part Name	Material
①	Ferrule (Window Frame)	SUS304
②	Window	TEMPAX Float reinforced product
③	Gaskets	EPDM
④	Clamp	SCS13A
⑤	Ferrule (Weld-On)	SUS304
⑥	Gasket	EPDM

Features

Useful to see contents such as tank.

If possible, avoid using it for compressing.



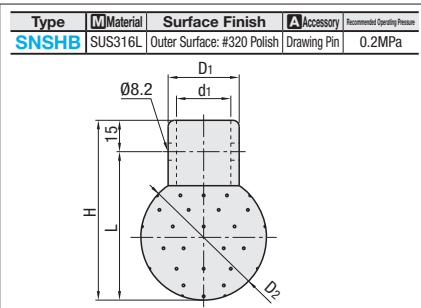
Part Number	Type	No.	Pressure Range (MPa)	A	B	d	Unit Price Qty. 1 ~ 2	Volume Discount Rate 3-5
SNPRG	1S	0.25	50.5	43.5	-			
	1.5S	0.4			34			
	2S	1.0	64	56.5	47			

Precision: ±1.6%FS

For orders larger than indicated quantity, please check with WOS.

Parts and Materials

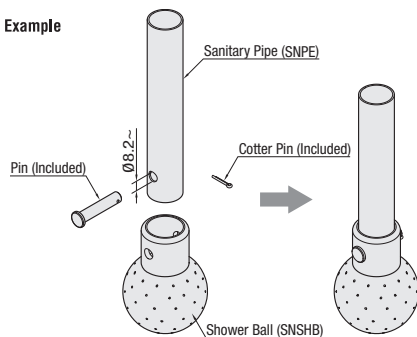
Part No.	Part Name	Material
①	Diaphragm - Ferrule	SUS316
②	Diaphragm - Film	SUS316
③	Indicating Part - Main Body	SUS304
-	Diaphragm - Fluid	Silicon Oil for Food Processing



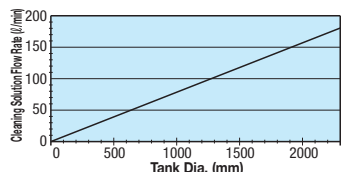
Part Number	Type	No.	D1	d1	D2	L	Hole Dia.	Max. Flow of Hole	Max. Flow at 0.2MPa	Tank Diameter Applicable to Cleansing	Unit Price Qty. 1	Volume Discount Rate 2-3
SNSHB	15A	27.2	22.2	40	51	66	1.2	22	56ℓ/min	∅700		
	1S	34	26	60	71	86	1.5	50	102ℓ/min	∅1300		
	1.5S	48.6	38.6	100	113	128	2	60	139ℓ/min	∅1800		

For tank diameter applicable to cleansing at 0.2MPa: Tank Diameter xmx25ℓ/min

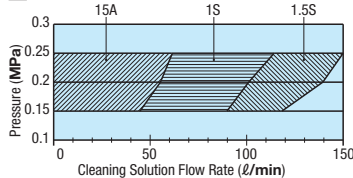
For orders larger than indicated quantity, please check with WOS.



Selection of Flow Rate Depending on Tank Diameter



Selection of Showerballs



Ordering Example

Part Number - Pressure Range
SNSGR1S -
SNPRG2S - **1.0**
SNSHB1S