

Sanitary Butterfly Valves / Ball Valves

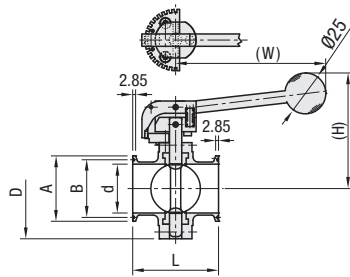
Standard / Small Diameter

Butterfly Valves

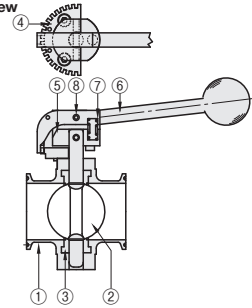
BFBS



RoHS 10



Parts View



Part Number		d	A	B	D	L	(H)	(W)	Unit Price	Volume Discount Rate
Type	No.								Qty. 1	2-5
BFBS	1S	23.0	50.5	43.5	74	84	92	142		
	1.5S	35.7	50.5	43.5	87	84	99	142		
	2S	47.5	64.0	56.5	98	84	105	142		
	2.5S	59.5	77.5	70.5	112	100	112	142		
	3S	72.3	91.0	83.5	128	100	130	190		

Specifications

Applicable Fluid	Water, Air, Oil, Gas
Max. Operating Temp.	120°C
Max. Operating Pressure	1S-2S 0.98MPa 2.5, 3S 0.78MPa

Features

- The full-port design minimizes liquid slug.
- The degree of opening can be fixed at a desired position in 10° increment.
- The surface pressure being constant maintains air tightness and enables small torque operation.

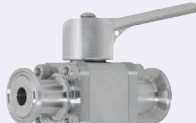
For orders larger than indicated quantity, please check with WOS.

Parts and Materials

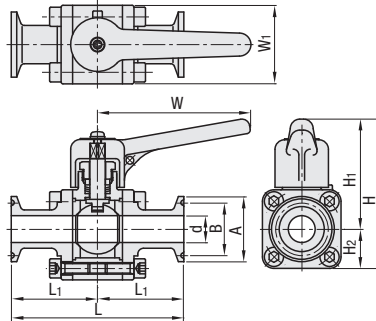
Part No.	Part Name	Material
1	Main Body	SUS316L
2	Valve Body	SUS316L
3	Seat Ring	Silicon Rubber
4	Notch Plate	SCS13
5	Handle Bracket	SCS13
6	Handle	SCS13
7	Spring	SUS304
8	Spring Pin	SUS304

Ball Valves - Small Diameter

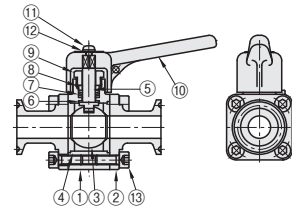
SNBSS



RoHS 10



Parts View



Part Number		d	A	B	L	L1	H	H1	H2	W	W1	Unit Price	Volume Discount Rate
Type	No.											Qty. 1	2-5
SNBSS	8A	10.5	34	27.5	90	45	81	60	21	80	41		
	10A	14	34	27.5	90	45	81	60	21	80	41		
	15A	17.5	34	27.5	90	45	86	63	23	80	46		

Specifications

Applicable Fluid	Water, Air, Oil, Gas
Max. Operating Temp.	120°C
Max. Operating Pressure	0.98MPa

For orders larger than indicated quantity, please check with WOS.

Parts and Materials

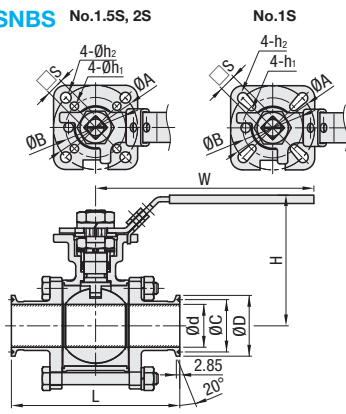
Part No.	Part Name	Material
1	Body	SCS16A
2	Cap	SCS16A
3	Ball	SCS16A or SUS316L
4	Ball Seat	Fluororesin
5	Stem	SUS316L
6	Thrust Washer	Fluororesin
7	Gland Gasket	Fluororesin
8	Gland Ring	SUS316L
9	Gland	SUS304
10	Handle	SCS13A
11	Phillips Machine Screw	SUS304
12	Spring Washer	SUS304
13	Hex Socket Head Cap Screw	SUS304

Ball Valves - Standard

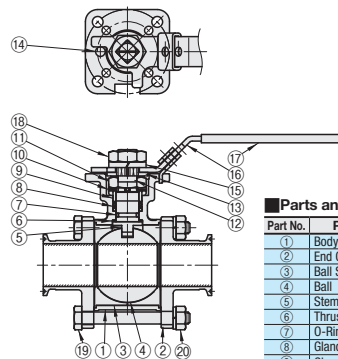
SNBS



RoHS 10



Parts View



Part Number		d	D	C	L	H	W	S	A	B	h1	h2	Unit Price	Volume Discount Rate
Type	No.												Qty. 1	2-5
SNBS	1S	23	50.5	43.5	114	90	150	11	50	42	R3	R4.5		
	1.5S	35.7	50.5	43.5	140	110	180	14	70	50	Ø7	Ø9		
	2S	47.8	64	56.5	156	115	180	14	70	50	Ø7	Ø9		

Specifications

Applicable Fluid	Water, Air, Oil, Gas
Max. Operating Temp.	120°C
Max. Operating Pressure	0.98MPa



Ordering Example
Part Number
BFBS1S
SNBS10A

For orders larger than indicated quantity, please check with WOS.

Parts and Materials

Part No.	Part Name	Material
1	Body	SCS14A
2	End Cap	SCS14A
3	Ball Seat	Fluororesin
4	Ball	SCS14A
5	Stem	SUS316
6	Thrust Washer	Fluororesin
7	O-Ring	FPM
8	Gland Gasket	Fluororesin
9	Gland	SUS304
10	Conical Spring Washer	SUS301
11	Stem Nut	SUS304
12	Lock Washer	SUS304
13	Handle Washer	SUS304
14	Stop Pin	SUS304
15	Spring Washer	SUS304
16	Handle	SUS304
17	Handle Cover	PVC
18	Handle Nut	SUS304
19	Screw	SUS304
20	Nut	SUS304