


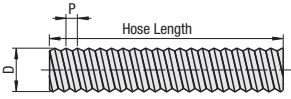
Duct Hoses / Cuffs for Duct Hoses

Oil-Resistant / Non-PVC

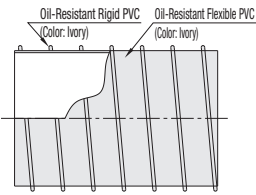
Oil-Resistant



HOSDY
(Hose Body Only)




Construction Diagram



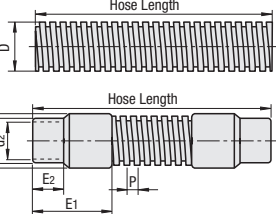
Material Hose Body: Oil-resistant Hard/Flexible PVC

| Part Number Type | Nominal | Hose Length 0.1m Increment | D | Hose I.D. (Reference) (mm) | | P | Allowable Bending Radius (mm) | Reference Mass (kg/m) | Unit Price | |
|-----------------------------|---------|-------------------------------|-------|-------------------------------|----|-----|----------------------------------|--------------------------|-------------------|--|
| | | | | | | | | | Hose Unit Price/m | |
| HOSDY (Hose Body) | 75 | 0.5-30.0 | 86.4 | 76.4 | 13 | 75 | 0.785 | | | |
| | 100 | | 112.2 | 101.6 | 15 | 100 | 1.03 | | | |
| | 125 | | 138.7 | 125.9 | 21 | 125 | 1.355 | | | |
| | 150 | 0.5-20.0 | 164.8 | 152.4 | 20 | 150 | 1.68 | | | |

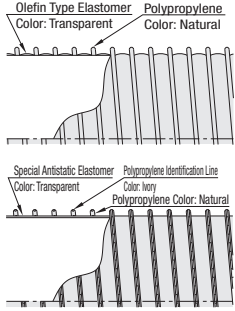
Non-PVC



| Type | Hose Body Only | One End Cuffed | Both Ends Cuffed |
|-----------------------------|----------------|----------------|------------------|
| Translucent Type | HOSCD | HOSCDK | HOSCDR |
| Antistatic Translucent Type | HOSCE | - | HOSCE R |



Construction Diagram



Material Hose Body: Polypropylene, Olefin Type Elastomer (for HOSCE, Special Anti-electrostatic Elastomer)
Cuff: Olefin Type Elastomer

| Part Number Type | Nominal Dia. | Hose Length 0.1m Increment | D | Hose I.D. (Reference) (mm) | | P | d | d1 | d2 | E1 | E2 | Allowable Bending Radius (mm) | Reference Mass (kg/m) | Allowable Pressure (Ambient Temp.) (MPa (kgf/cm²)) | Allowable Decompression (Ambient Temp.) (kPa (mmHg)) | Unit Price HOSCD | | Unit Price HOSCE | |
|---|--|-------------------------------|-------|-------------------------------|---------------------------------------|------|------|-------|-------|-----|------|----------------------------------|--------------------------|--|--|---|-------------------|---|--|
| | | | | Hose Unit Price/m | One End Cuffed (+ Hose Unit Price) | | | | | | | | | | | Both Ends Cuffed (+ Hose Unit Price) | Hose Unit Price/m | Both Ends Cuffed (+ Hose Unit Price) | |
| Translucent Duct Hoses HOSCD (Hose Body) HOSCDK (One End Cuffed) HOSCDR (Both Ends Cuffed) | Antistatic Translucent Duct Hoses HOSCE (Hose Body) HOSCE R (Both Ends Cuffed) | 0.5-30.0 | 38 | 45.0 | 38.0 | 7.8 | 48 | 43 | 38 | 80 | 35 | 50 | 0.22 | 0.04 (0.4) | -50.7 (-380) | | | | |
| | | | 50 | 59.0 | 50.8 | 10.0 | 65.5 | 56.3 | 50.8 | 82 | 35 | 60 | 0.33 | 0.03 (0.3) | -33.0 (-248) | | | | |
| | | | 75 | 85.0 | 76.2 | 13.0 | 92.5 | 83.2 | 76.2 | 94 | 37 | 90 | 0.47 | 0.02 (0.2) | -17.5 (-131) | | | | |
| | | 0.5-20.0 | 100 | 111.5 | 101.6 | 15.0 | 119 | 108.6 | 101.6 | 110 | 42 | 110 | 0.64 | | | | | | |
| 125 | 138.5 | | 127.0 | 21.0 | 146.3 | 135 | 128 | 142 | 50 | 135 | 0.81 | | | | | | | | |
| 150 | 164.0 | | 152.4 | 20.0 | 173.3 | 160 | 152 | 159 | 70 | 160 | 1.06 | | | | | | | | |

Specifications

| Type | HOSDY | HOSCD | HOSCE |
|--------------------------------|--|----------------------------------|-------|
| Application | Suction and exhaust emission of oil mist | For air supply and exhaust (Air) | |
| Operating Temp. Range (°C) | -10~50 | -20~50 | |
| Allowable Pressure Range (MPa) | Below ambient temperature: 0 ~ 0.04 Above ambient temperature: 0 ~ 0.02 | | |

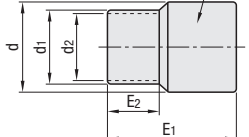
Ordering Example

| | | |
|-------------|---|-------------|
| Part Number | - | Hose Length |
| HOSDY100 | - | 5.5 |
| HOSCD50 | - | 3.2 |

Cuffs for Duct Hoses

| Type | Material | Applicable Hoses |
|-------------|-----------------------|----------------------------|
| DHED | Flexible PVC | Lightweight Type |
| DHSD | EPDM (Light Gray) | Flexible |
| DHHD | EPDM (Black) | Wear Resistant, Antistatic |
| DHTD | Olefin Type Elastomer | Translucent Type |

*The inside has been machined to match the helical thread of the duct, which corresponds to the nominal value.



| Part Number Type | Nominal | Unit Price | | | |
|--|---------|------------|------|------|------|
| | | DHED | DHSD | DHHD | DHTD |
| (For Lightweight Duct Hoses) | 38 | | | | |
| | 50 | | | | |
| (For Flexible Duct Hoses) | 65 | | | | |
| | 75 | | | | |
| (For Friction Resistant and Antistatic Duct Hoses) | 90 | | | | |
| | 100 | | | | |
| (For Translucent Duct Hoses) | 125 | | | | |
| | 150 | | | | |

Ordering Example Part Number **DHSD50**

| Part Number Type | Nominal | DHED | | | | | DHSD | | | | | DHHD | | | | | DHTD | | | | |
|--|---------|-------|-------|-------|-----|----|-------|-------|-------|-----|----|-------|-----|-----|-----|----|-------|-------|-------|-----|----|
| | | d | d1 | d2 | E1 | E2 | d | d1 | d2 | E1 | E2 | d | d1 | d2 | E1 | E2 | d | d1 | d2 | E1 | E2 |
| (For Lightweight Duct Hoses) | 38 | 48 | 43 | 38 | 80 | 35 | 47.7 | 44 | 38 | 70 | 35 | 52 | 43 | 38 | 75 | 30 | 48 | 43 | 38 | 80 | 35 |
| | 50 | 65.5 | 56.3 | 50.8 | 82 | 35 | 64 | 56.8 | 50.8 | 70 | 35 | 66.3 | 56 | 51 | 81 | 23 | 65.5 | 56.3 | 50.8 | 82 | 35 |
| (For Flexible Duct Hoses) | 65 | 78.5 | 69 | 63 | 86 | 33 | 78 | 69.5 | 63.5 | 76 | 35 | 78.1 | 69 | 63 | 87 | 31 | - | - | - | - | - |
| | 75 | 92.5 | 83.2 | 76.2 | 94 | 37 | 88 | 82.5 | 76.5 | 85 | 40 | 92.5 | 84 | 77 | 98 | 38 | 92.5 | 83.2 | 76.2 | 94 | 37 |
| (For Friction Resistant and Antistatic Duct Hoses) | 90 | 106.5 | 96.9 | 89.2 | 99 | 40 | 100 | 95.9 | 88.9 | 95 | 45 | 105.8 | 97 | 89 | 107 | 46 | - | - | - | - | - |
| | 100 | 119.8 | 109.6 | 101.6 | 110 | 42 | 115.5 | 108.6 | 101.6 | 95 | 45 | 118.3 | 110 | 102 | 111 | 43 | 119 | 108.6 | 101.6 | 110 | 42 |
| (For Translucent Duct Hoses) | 125 | 146.3 | 135 | 128 | 142 | 50 | 140.5 | 134 | 127 | 95 | 45 | 144.8 | 134 | 126 | 146 | 52 | 146.3 | 135 | 128 | 142 | 50 |
| | 150 | 173.3 | 160 | 152 | 160 | 70 | 166 | 160.4 | 152.4 | 113 | 50 | 172.3 | 161 | 153 | 162 | 78 | 173.3 | 160 | 152 | 159 | 70 |