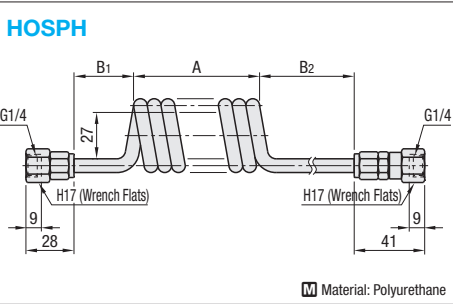


Coiled Hoses / Air Hoses



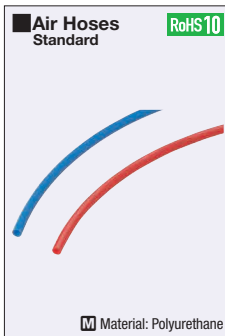
- Features**
- Excellent in flexibility.
 - Excellent in mechanical strength, especially in abrasion resistance.

Specifications

Applicable Fluids	Air
Operating Temperature Range	-40~80°C
Max. Operating Pressure	1.1MPa

Part Number		Hose Extension Length (mm)	I.D. (mm)	O.D. (mm)	A	B1	B2	Min. Bending Radius (mm)	O.D. Accuracy	Mass (g)	HOSPH	
Type	Hose Nominal I.D.										Unit Price	Volume Discount Rate
HOSPH	8	800	5	8	180	100	500	±0.1		200	1 pc.	2~5
		1800	5	8	400	100	500			300		
		3000	5	8	630	100	500			405		
	10	800	6.5	10	185	100	500			285		
		1800	6.5	10	400	100	500			425		
		3700	6.5	10	800	100	500			690		

Ordering Example: Part Number - Hose Length
HOSPH8 - 3000

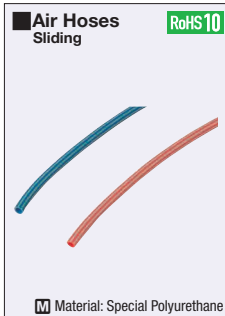


Part Number	Hose Length (m)	Hose Color	I.D. (mm)	O.D. (mm)	Thickness (mm)	Min. Bending Radius (mm)	Operating Pressure (MPa)	Operating Temp. Range (°C)	Unit Price	Volume Discount Rate	
EHOS	6	10	Not specified (Red)	6.5	10	1.75	40	0~1.5	-20~60°C	1~4 pc(s).	5~10
		20									
	9	10	BL (Blue)	8.5	12.5	2	55	0~1.5	-20~60°C	1~4 pc(s).	5~10
		20									

- Features**
- Hose weight is very light.
 - Excellent in cold resistance and oil resistance.

Specifications

Applicable Fluids	Air
Operating Temperature Range	-20~60°C
Max. Operating Pressure	1.5MPa

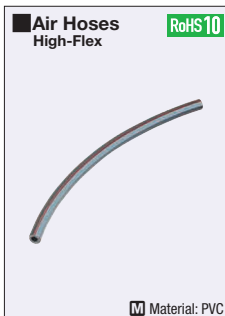


Part Number	Hose Length (m)	Hose Color	I.D. (mm)	O.D. (mm)	Thickness (mm)	Min. Bending Radius (mm)	Operating Pressure (MPa)	Operating Temp. Range (°C)	Unit Price	Volume Discount Rate	
ERHOS	6	10	Not specified (Red)	6.3	10	1.85	40	0~1.5	-20~60°C	1~4 pc(s).	5~10
		20									
	9	10	BL (Blue)	8.3	12.5	2.1	40	0~1.5	-20~60°C	1~4 pc(s).	5~10
		20									

- Features**
- Enhances sliding of hose and facilitates movement and operation.
 - Soft and flexible hose leads to less burden on wrist and arm.
 - Lithe hose causes less leaping and secures safety at foot.

Specifications

Applicable Fluids	Air
Operating Temperature Range	-20~60°C
Max. Operating Pressure	1.5MPa



Part Number	Hose Length (m)	I.D. (mm)	O.D. (mm)	Thickness (mm)	Min. Bending Radius (mm)	Operating Pressure (MPa)	Operating Temp. Range (°C)	Unit Price	Volume Discount Rate	
AHOS	6	10	6.5	13	3.25	30	0~1.0	-5~60°C	1~4 pc(s).	5~10
		20								
	9	10	8	15	3.5	35	0~1.0	-5~60°C	1~4 pc(s).	5~10
		20								

- Features**
- Soft type is easy to insert into metal fittings such as hose nipples.
 - Band tightening with high air tightness prevents leakage of air.
 - No sticking of oil. No swelling often seen in rubber hoses.

Specifications

Applicable Fluids	Air
Operating Temperature Range	-5~60°C
Max. Operating Pressure	1.0MPa

Ordering Example: Part Number - Hose Length - Hose Color
EHOS6 - 10 - BL