
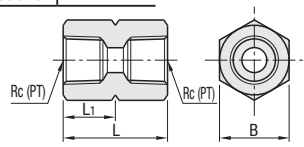

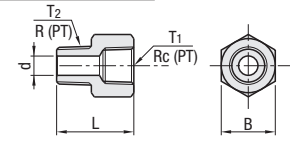

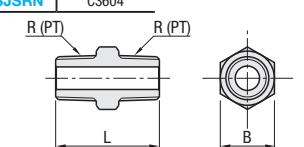

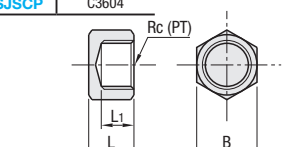

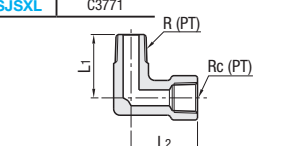

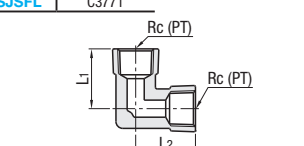

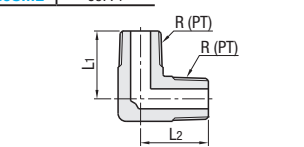

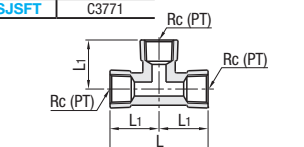


Screw Fittings

Brass

<p>Sockets</p>  <p>RoHS10</p>	<table border="1"> <thead> <tr> <th>Type</th> <th>Material</th> </tr> </thead> <tbody> <tr> <td>SJSFS</td> <td>C3604</td> </tr> </tbody> </table> 	Type	Material	SJSFS	C3604
Type	Material				
SJSFS	C3604				
<p>Female/Male Sockets</p>  <p>RoHS10</p>	<table border="1"> <thead> <tr> <th>Type</th> <th>Material</th> </tr> </thead> <tbody> <tr> <td>SJSXS</td> <td>C3604</td> </tr> </tbody> </table> 	Type	Material	SJSXS	C3604
Type	Material				
SJSXS	C3604				
<p>Nipples</p>  <p>RoHS10</p>	<table border="1"> <thead> <tr> <th>Type</th> <th>Material</th> </tr> </thead> <tbody> <tr> <td>SJSRN</td> <td>C3604</td> </tr> </tbody> </table> 	Type	Material	SJSRN	C3604
Type	Material				
SJSRN	C3604				
<p>Caps</p>  <p>RoHS10</p>	<table border="1"> <thead> <tr> <th>Type</th> <th>Material</th> </tr> </thead> <tbody> <tr> <td>SJSCP</td> <td>C3604</td> </tr> </tbody> </table> 	Type	Material	SJSCP	C3604
Type	Material				
SJSCP	C3604				
<p>Female/Male Elbows</p>  <p>RoHS10</p>	<table border="1"> <thead> <tr> <th>Type</th> <th>Material</th> </tr> </thead> <tbody> <tr> <td>SJSXL</td> <td>C3771</td> </tr> </tbody> </table> 	Type	Material	SJSXL	C3771
Type	Material				
SJSXL	C3771				
<p>Elbows</p>  <p>RoHS10</p>	<table border="1"> <thead> <tr> <th>Type</th> <th>Material</th> </tr> </thead> <tbody> <tr> <td>SJSFL</td> <td>C3771</td> </tr> </tbody> </table> 	Type	Material	SJSFL	C3771
Type	Material				
SJSFL	C3771				
<p>Male Elbows</p>  <p>RoHS10</p>	<table border="1"> <thead> <tr> <th>Type</th> <th>Material</th> </tr> </thead> <tbody> <tr> <td>SJSML</td> <td>C3771</td> </tr> </tbody> </table> 	Type	Material	SJSML	C3771
Type	Material				
SJSML	C3771				
<p>Tees</p>  <p>RoHS10</p>	<table border="1"> <thead> <tr> <th>Type</th> <th>Material</th> </tr> </thead> <tbody> <tr> <td>SJSFT</td> <td>C3771</td> </tr> </tbody> </table> 	Type	Material	SJSFT	C3771
Type	Material				
SJSFT	C3771				

Part Number	Rc (PT)	L	L1	B	Unit Price	Volume Discount Rate
Type	No.				1 ~ 9 pc(s).	10-20 pcs.
SJSFS	6A	1/8	21	10.5	14	
	8A	1/4	28	14	17	
	10A	3/8	32	16	21	
	15A	1/2	40	20	26	

For orders larger than indicated quantity, please check with WOS.

Part Number	Rc (PT)	R (PT)	L	d	B	Unit Price	Volume Discount Rate
Type	No.	T1	T2			1 ~ 9 pc(s).	10-20 pcs.
SJSXS	6A	1/8	1/8	20	5	14	
	8A	1/4	1/4	24	8	17	
	10A	3/8	3/8	28	11	21	
	15A	1/2	1/2	33	15	26	

For orders larger than indicated quantity, please check with WOS.

Part Number	R (PT)	L	B	Unit Price	Volume Discount Rate
Type	No.			1 ~ 9 pc(s).	10-20 pcs.
SJSRN	6A	1/8	22	12	
	8A	1/4	28	14	
	10A	3/8	33	17	
	15A	1/2	38	22	

For orders larger than indicated quantity, please check with WOS.

Part Number	Rc (PT)	L	L1	B	Unit Price	Volume Discount Rate
Type	No.				1 ~ 9 pc(s).	10-20 pcs.
SJSCP	6A	1/8	9	7	12	
	8A	1/4	11	9	16	
	10A	3/8	14	12	19	
	15A	1/2	15	13	24	

For orders larger than indicated quantity, please check with WOS.

Part Number	R, Rc (PT)	L1	L2	Unit Price	Volume Discount Rate
Type	No.			1 ~ 9 pc(s).	10-20 pcs.
SJSXL	6A	1/8	19	22	
	8A	1/4	24	25	
	10A	3/8	28	29	
	15A	1/2	32	34	

For orders larger than indicated quantity, please check with WOS.

Part Number	Rc (PT)	L1	L2	Unit Price	Volume Discount Rate
Type	No.			1 ~ 9 pc(s).	10-20 pcs.
SJSFL	6A	1/8	22	22	
	8A	1/4	25	25	
	10A	3/8	29	29	
	15A	1/2	34	34	

For orders larger than indicated quantity, please check with WOS.

Part Number	R (PT)	L1	L2	Unit Price	Volume Discount Rate
Type	No.			1 ~ 9 pc(s).	10-20 pcs.
SJSML	6A	1/8	17	17	
	8A	1/4	22	22	
	10A	3/8	25	25	
	15A	1/2	29	29	

For orders larger than indicated quantity, please check with WOS.

Part Number	Rc (PT)	L	L1	Unit Price	Volume Discount Rate
Type	No.			1 ~ 9 pc(s).	10-20 pcs.
SJSFT	6A	1/8	44	22	
	8A	1/4	50	25	
	10A	3/8	58	29	
	15A	1/2	68	34	

For orders larger than indicated quantity, please check with WOS.