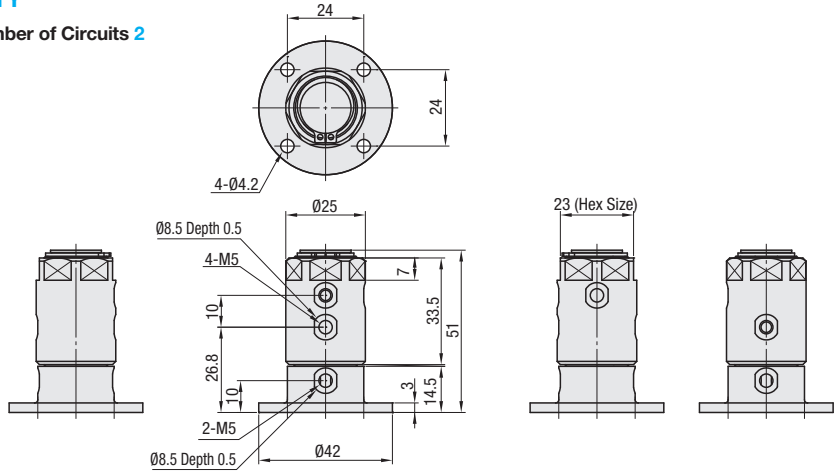


Rotary Manifolds

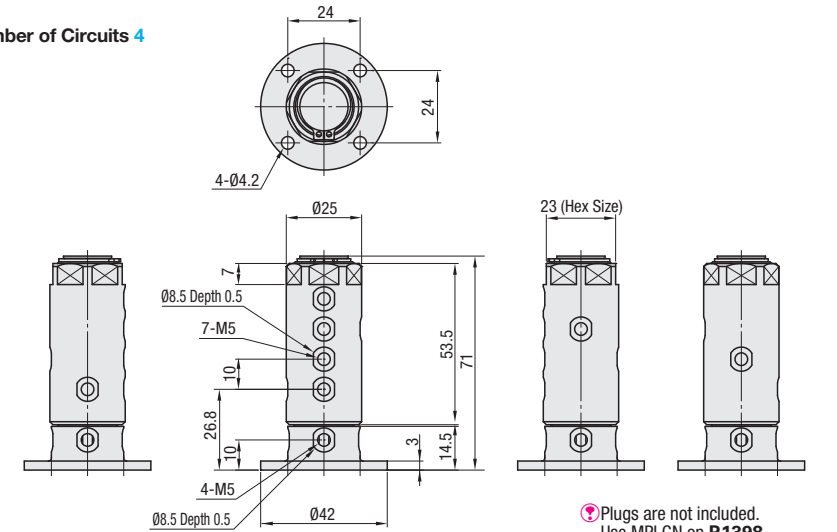
Economy Type

BMRTY

Number of Circuits 2



Number of Circuits 4



Plugs are not included.
Use MPLGN on P1398.

RoHS 10

Part Number	Allowable Rotational Speed	Rotational Torque	Minimum Sectional Area	Mass (g)	Unit Price
Type	Number of Circuits	(min ⁻¹)	(N · m)	(mm ²)	1 ~ 5 pc(s).
BMRTY	2	350	0.07	65	
	4		0.08	85	

Leakage Test: 0 Leakage at 100 Revolutions/min, and in Ambient Temp. (The indicated values are measured values, not guaranteed values.)
For orders larger than indicated quantity, please check with WOS.

Ordering Example
Part Number
BMRTY4

Features

- Can be used for plumbing on rotary parts such as index tables.
- Smooth rotation with low leakage is achieved by applying the low friction seal.
- Each circuit is separated, which stabilizes the flow rate.

Precautions for Use

Use clean air preconditioned with dryer or filter. (Do not use synthetic oil containing chemical and organic solvent, or air containing salt and corrosive gas. They may cause damage and malfunction.)

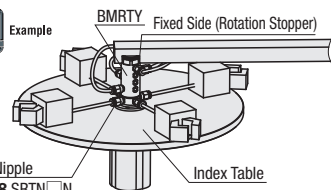
Installation Method

The upper portion of the fixed side should have a rotation stopping measure designed to fit the equipment, and the floating condition should be ensured. Excessive load to the rotating side shaft may cause damages and air leakage.

Specifications

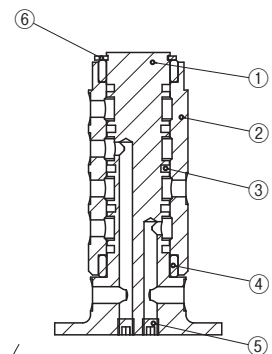
Applicable Fluid	Compressed Air
Operating Ambient Temperature	5~70°C
Rotating Angle	Endless
Operating Pressure Range	0~0.7MPa

Example



Upper part rotates when the bottom part (flange) is fixed.

Structure Diagram



No.	Part Name	Material	Surface Treatment
①	Main Body	A2017	Clear Anodize
②	Casing	A2017	Clear Anodize
③	Gasket	Nitrile Rubber	-
④	Collar	Polyacetal	-
⑤	Plug	SUS-XM7	-
⑥	Ret. Ring	SUS304	-