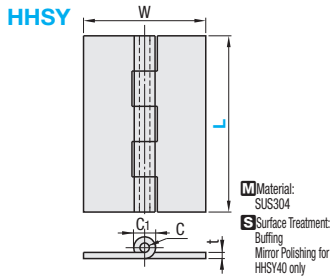
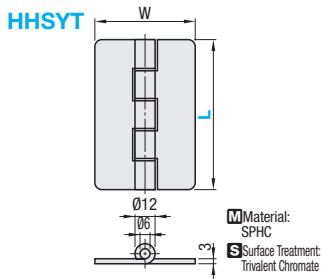


Weld-On Hinges / Long Hinges



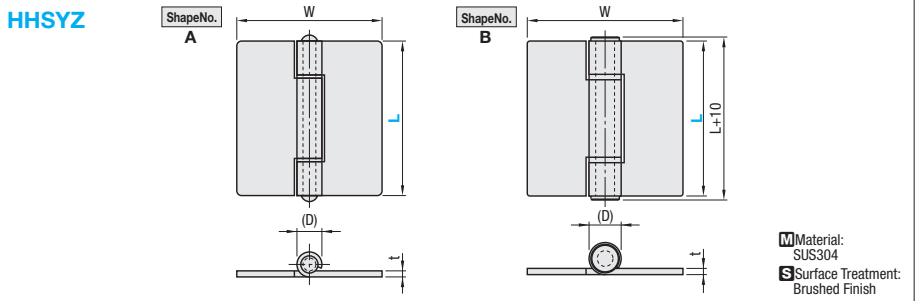
Part Number Type	L	W	C	C ₁	t	* Allowable Load (kg)	Weight (g)	Unit Price	Volume Discount Rate
								1 ~ 19 pc (s).	20~50
HHSY	40	35	3	6.3	1.5	6	25		
	50	30	3	6.4	1.5	8	30		
	65	50	4	8.5	2	13	66		
	75					15	76		
	90	60	6	12.7	3	25	190		
	100					30	200		

* The allowable load is the value when 2 pieces are used.



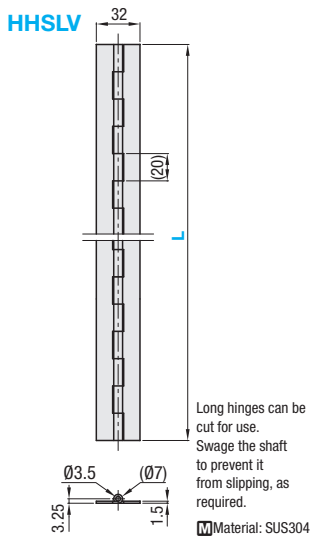
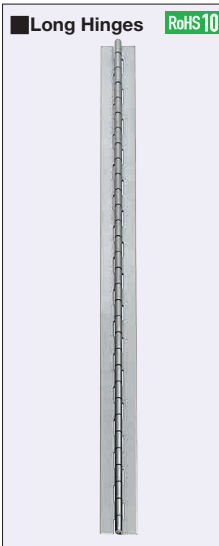
Part Number Type	L	W	* Allowable Load (kg)	Division	Weight (g)	Unit Price	Volume Discount Rate
						1 ~ 19 pc (s).	20~200
HHSYT	60	50	25	3	105		
	90	60	40	5	180		
	100	80	45	5	245		

* The allowable load is the value when 2 pieces are used.



Part Number Type	L	W	(D)	t	Shape No.	* Allowable Load (kg)	Weight (g)	Unit Price	Volume Discount Rate
								1 ~ 19 pc (s).	20~50
HHSYZ	50	50	12	3	A	20	88		
	60	64				25	120		
	75	70				30	164		
	100	100				60	512		
	125	100	20	4	B	70	628		
	150	120				90	834		

* The allowable load is the value when 2 pieces are used.



Part Number Type	L	Mass (g)	Unit Price	Volume Discount Rate
			1 ~ 9 pc (s).	10~50
HHSLV	300	165		
	350	190		
	450	250		
	600	335		
	750	410		
	850	470		
1000	580			



Ordering Example

Part Number
HHSY50
HHSYT90
HHSYZ100
HHSLV300