
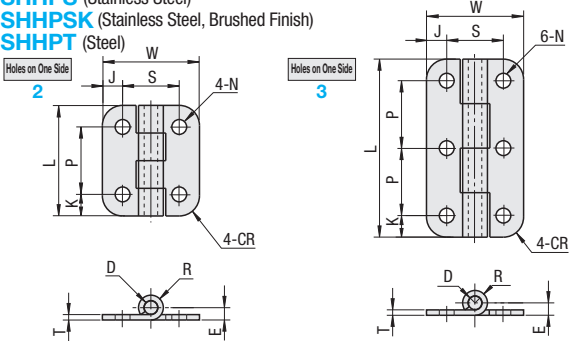


Stainless Steel Hinges / Steel Hinges



SHHPS (Stainless Steel)
SHHPSK (Stainless Steel, Brushed Finish)
SHHPT (Steel)



☑ The hinge nuts on **P 1199** are recommended when mating to panels, etc.

Type	Material	Surface Treatment
SHHPS	SUS316	-
SHHPSK	SUS304	Brushed Finish
SHHPT	SPCC or SPHC	Chrome Plating


RoHS10

Part Number		Holes on One Side	* Allowable Load		Mass g	L	W	K	P	J	S	N	T	E	R	CR	D	SHHPS		SHHPSK		
Type	No.		kg	N														Unit Price	Volume Discount Rate	Unit Price	Volume Discount Rate	
SHHPS SHHPSK	5	2	9	88	43	41	36	8	25	7.5	21	5.5	2	4.6	4.6	7.5	5					
		3	11	108	70	66																
	6	2	12	117	60	48	48	9	30	8	32	6.5	3	5.6	5.6	10	6					
		3	15	147	98	78																
	8	2	25	245	130	59	62	11	37	10	42	6.5	3	6.1	6.1	10	6					
		3	38	372	230	96																
	845	2	2	30	294	190	70	80	13.5	43	16.5	47	6.5	3	5.6	5.6	10	5			-	-
			3	40	392	325	113															

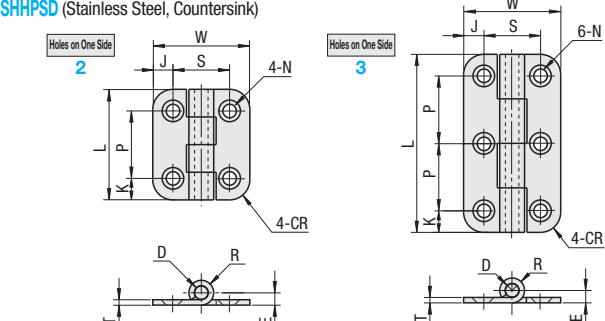
* The allowable load is the value when 2 pieces are used.

Part Number		Holes on One Side	* Allowable Load		Mass g	L	W	K	P	J	S	N	T	E	R	CR	D	SHHPT		
Type	No.		kg	N														Unit Price	Volume Discount Rate	
SHHPT	5	2	9	88	36	41	36	8	25	7.5	21	5.5	2	4.6	4.6	4	5			
		3	11	108	59	66														
	6	2	12	117	50	48	48	9	30	8	32	6.5	3.2	6.5	6.5	5	6			
		3	15	147	83	78														
	8	2	25	245	124	59	62	11	37	10	42	6.5	3.2	6.5	6.5	5	6			
		3	38	372	207	96														
	845	2	2	30	294	181	70	80	13.5	43	16.5	47	6.5	3.2	6.5	6.5	5	6		
			3	40	392	298	113													

* The allowable load is the value when 2 pieces are used.



SHHPSD (Stainless Steel, Countersink)



☑ Material: SUS304

RoHS10

Part Number		Holes on One Side	* Allowable Load		Mass g	L	W	K	P	J	S	N		T	E	R	CR	D	Unit Price		
Type	No.		kg	N								Through	Countersink						1 ~ 8 pc(s)	9 ~ 100	
SHHPSD	5	2	9	88	34	41	36	8	25	7.5	21	5.5	8.6 (For M4 Screw)	2	4.6	4.6	4	5			
		3	11	108	56	66															
	6	2	12	117	49	48	48	9	30	8	32	6.5	10.6 (For M5 Screw)	3	6.1	6.1	5	6			
		3	15	147	80	78															
	8	2	25	245	111	59	62	11	37	10	42	6.5	10.6 (For M5 Screw)	3	6.1	6.1	5	6			
		3	38	372	185	96															
	845	2	2	30	294	162	70	80	13.5	43	16.5	47	6.5	10.6 (For M5 Screw)	3	6.1	6.1	5	6		
			3	40	392	266	113														

* The allowable load is the value when 2 pieces are used.

Ordering Example

Part Number	-	Holes on One Side
SHHPS6	-	2
SHHPSD6	-	3