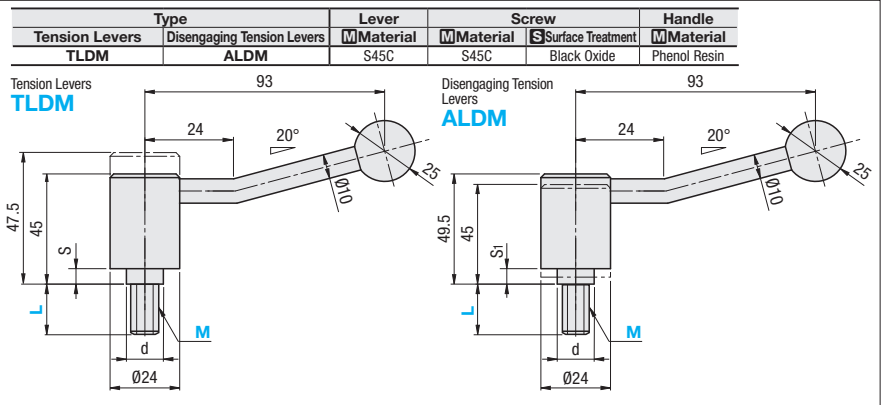
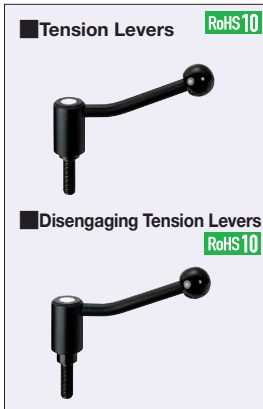
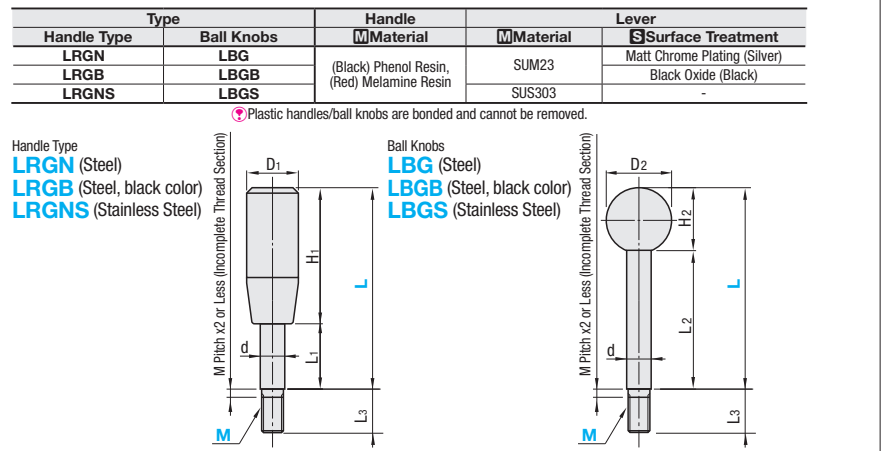
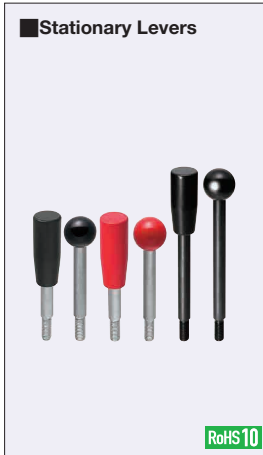
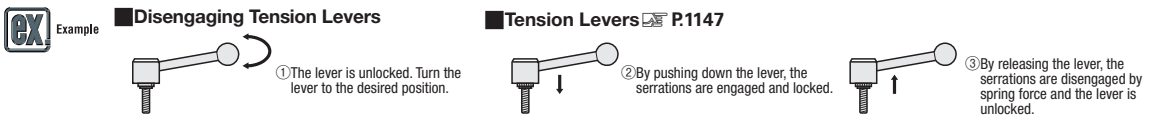


Tension Levers / Disengaging Tension Levers / Stationary Levers



Part Number Type	M	L Selection				S	S ₁	d	Number of Serrated Teeth	F _{Max.} Max. Load N	P _{max.} Max. Tightening Force kN	Reference Mass (g)	Unit Price	
		10	30	40	50								TLDM	ALDM
TLDM														
ALDM					4	9	16	22	300	12	210			
					3	3	22		420	18	215			
									670	33	220			

Ordering Example: Part Number - L
TLDM10 - 30



Part Number Type	M (Coarse)	L	Handle Color	L ₃	d	LRGN, LRGB, LRGNS			LBG, LBGB, LBGS			Reference Mass (g)	Unit Price					
						D ₁	H ₁	L ₁	D ₂	H ₂	L ₂		LRGN	LRGB	LRGNS	LBG	LBGB	LBGS
Handle Type LRGN LRGB LRGNS	6	63	R (Red)	12	8	17	40	23	20	18	45	25						
		80						40					62	32				
		100						60					82	40				
	8	100						30					57	53				
		125						50					77	65				
		125						75					102	81				
Ball Knobs LBG LBGB LBGS	10	100	B (Black)	25	12	25	65	35	30	28	72	97						
		125						60					97	119				
		160						95					132	149				
	12	125						39					93	163				
		160						74					128	205				
		200						114					168	253				

The handle color for LRGB and LBGB is black only.

Ordering Example: Part Number - L - Handle Color
LBGS6 - 63 - R
LRGB8 - 100 - B