


Antivibration Pads

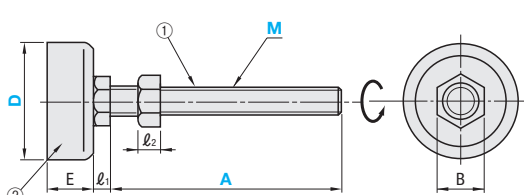
-Light Load-

Light Load



RoHS10

FBF
FBFM
FBFS (Stainless Steel)



Type	① Main Body		② Rubber	
	M Material	S Surface Treatment	M Material (Color)	H Hardness
FBF	SS400 Equivalent	Trivalent Chromate	Chloroprene Rubber (Black)	Hs70
FBFM			Non-Staining Chloroprene Rubber (Gray) Electrically Conductive Rubber (Black)*	
FBFS	SUS304	-	Chloroprene Rubber (Black)	

* Electrically conductive rubber has an identification mark on the back side.

Part Number		M (Coarse)	A			FBFM				Vertical Load Range (kN)	Static Compression Spring Constant Value (kN/mm)
Type	D					Rubber Material		l ₁	l ₂		
FBF FBFM FBFS <small>(Stainless Steel)</small>	33	8	30	50	C (Non-Contaminating Chloroprene Rubber, Gray) D (Electrically Conductive Rubber, Black)	4.5	6.5	12	13	0.4~0.59	0.49±15%
		10	30	50		70	8.0		17		
	40	10	30	50		70		15	10.0	19	0.44~0.88
		12	50	70		100					

⚠ Rubber type is not selectable for FBF and FBFS (Chloroprene rubber only).



Ordering Example

Part Number	-	M	-	A	-	Rubber Material
FBF33	-	10	-	50	-	
FBFM40	-	12	-	100	-	C

D	M (Coarse)	Unit Price											
		A30			A50			A70			A100		
		FBF	FBFM	FBFS	FBF	FBFM	FBFS	FBF	FBFM	FBFS	FBF	FBFM	FBFS
33	8							-	-	-	-	-	-
	10										-	-	-
40	10										-	-	-
	12	-	-	-									