


# MISUMI C-VALUE Leveling Mount Plastic Type

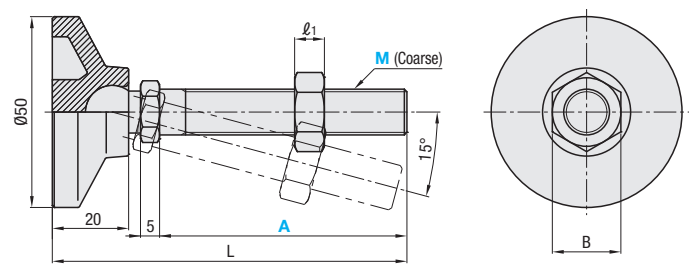
Similar Product Comparison Point | Not RoHS Compliant. Allowable Vertical Load differs from that of similar products. (For details, see P1115)

Similar Products Page P.1115


**Plastic Type**



**C-AJPJ**



**Pad Bottom**



⚙️ Tilttable in all 360° directions.


	M Material	S Surface Treatment
Thread, Nut	SS400	Zinc Plating
Pad	Nylon	-

Part Number		L	ℓ <sub>1</sub>	B	Allowable Vertical Load (kN)	Mass (g)	Unit Price
Type	M-A						
<b>C-AJPJ</b>	10-68	96	9.5	16	1.2	80	
	10-98	126				96	
	12-68	96	12.2	18	1.5	101	
	12-98	126				122	
	16-108	136		24	3.0	137	
	16-148	176				158	


**Ordering Example** Part Number - A  
**C-AJPJ16 - 148**

⚙️ Kgf (Load) = Nx0.101972

## Price Comparison Economical compared to similar products.

Specification	Type	Price Difference
 <b>Plastic Type</b>	Similar Products: AJPD <b>P.1115</b>	Compared to Similar Products Max. <b>50% OFF</b>
	C-VALUE Products: C-AJPJ <b>P.1118</b>	