


Leveling Mounts / Economy Leveling Mounts

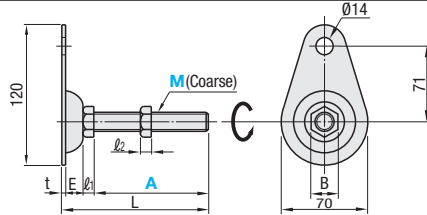
Fixed



RoHS 10

**FJKN
FJKNS**
(Stainless Steel)


⚠ Screw shaft turns independently of the base and tilts slightly.



M	ℓ ₁	ℓ ₂	E	B	t
10	7	8	18	17	2
12	8	10		19	
16	10	13		24	
20	13	16		30	

Type	Material	Surface Treatment
FJKN	SS400 Equivalent	Trivalent Chromate
FJKNS	SUS304	Electrolytic Polishing

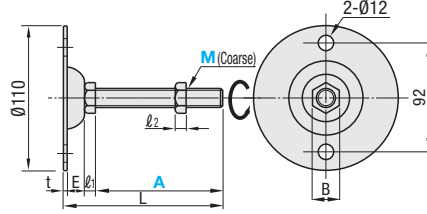
2-Screw Holes



RoHS 10

**FJWN
FJWNS**
(Stainless Steel)

⚠ Screw shaft turns independently of the base and tilts slightly.



M	ℓ ₁	ℓ ₂	E	B	t
10	7	8	23	17	2
12	8	10	22.5	19	
16	10	13		24	
20	13	16	21.5	30	

Type	Material	Surface Treatment
FJWN	SS400 Equivalent	Trivalent Chromate
FJWNS	SUS304 Equivalent	Electrolytic Polishing


Fixed

Part Number Type	M-A	L	Allowable Vertical Load (kN)	Mass (g)	Unit Price	
					FJKN	FJKNS
FJKN	10-75	102	4.3	186		
	10-100	127		204		
	12-75	103		211		
	12-100	128	4.9	229		
	12-125	153		245		
	12-150	178		264		
	16-75	105		307		
	16-100	130	5.9	337		
	16-130	160		376		
	16-150	180		403		
16-180	210	442				
20-100	133	8.8	509			
20-130	163		571			
20-150	183		613			
20-180	213		674			

2-Screw Holes

Part Number Type	M-A	L	Allowable Vertical Load (kN)	Mass (g)	Unit Price	
					FJWN	FJWNS
FJWN	10-75	107	4.3	239		
	10-100	132		251		
	12-75	107.5		276		
	12-100	132.5	4.9	294		
	12-125	157.5		310		
	12-150	182.5		329		
	16-75	109.5		377		
	16-100	134.5	5.9	407		
	16-130	164.5		446		
	16-150	184.5		473		
16-180	214.5	512				
20-100	136.5	8.8	587			
20-130	166.5		653			
20-150	186.5		690			
20-180	216.5		752			

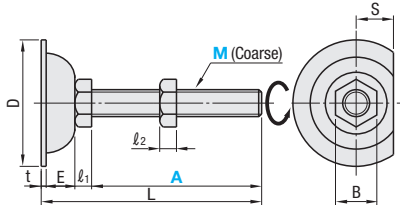
Leveling Mounts - Space Saving



RoHS 10

NFJNCT

⚠ Screw shaft turns independently of the base and tilts slightly.

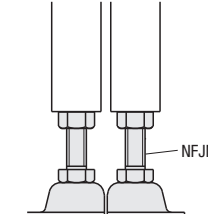


M	D	S	ℓ ₁	ℓ ₂	E	t	B
8	38	17	5.5	6.5	11	1.6	13
10			7	8	11		17
12	60	10	8	10	18	2.0	19
16			10	13	20		24


Material: SS400 Equivalent
Surface Treatment: Trivalent Chromate

Part Number Type	M-A	L	Allowable Vertical Load (kN)	Mass (g)	Unit Price
NFJNCT	8-50	69.1	0.98	47	
	8-100	118.1		62	
	10-75	94.6		85	
	10-100	119.6		97	
	12-75	103		156	
	12-100	128		174	
	12-125	153		190	
	12-150	178		209	
	16-75	107		267	
	16-100	132		297	
	16-130	162		336	
	16-150	182		363	
16-180	212	402			

EX Example



Economy Leveling Mounts

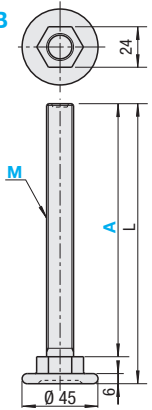


RoHS 10

⚠ The screw and the pad are one piece.

Material: SWRCH
Surface Treatment: Trivalent Chromate

MAJB



Part Number Type	M-A	L	Allowable Vertical Load (kN)	Mass (g)	Unit Price
MAJB	16-75	91	3.7	200	
	16-150	166		297	

Ordering Example: FJWN12-150, NFJNCT12-100, MAJB16-75