


Note that, for some of the types shown here, order might be unable to be received by the MISUMI Thailand, Singapore, Indonesia, and/or India offices.

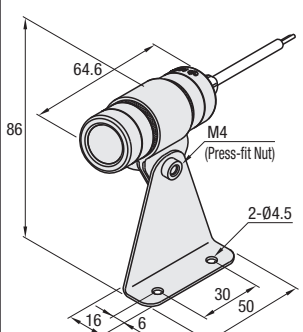
LED Spot Lighting - Oil Resistant, Small / Dimming Controller Type

IP67F

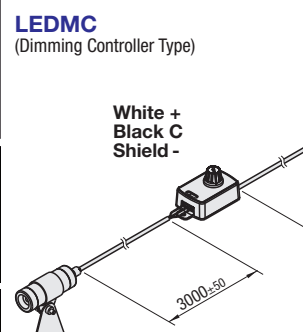


RoHS 10

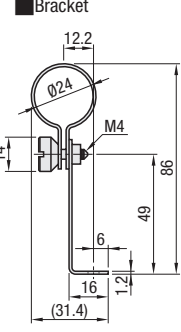
LEDM



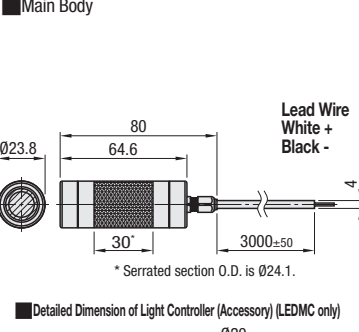
LEDMC (Dimming Controller Type)



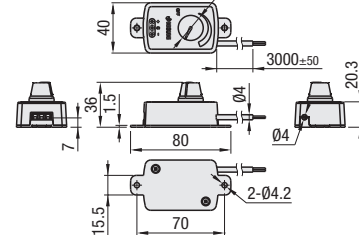
Bracket



Main Body

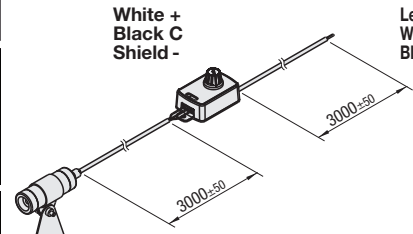


Detailed Dimension of Light Controller (Accessory) (LEDMC only)



White + Black C Shield -

Lead Wire White + Black -



⚠ For AC Adapter and ON / OFF Switch, see **P1054**.
 ⚠ Light Control Unit is not sold separately.
 ⚠ Specification has been upgraded as of April 2014 as shown below.

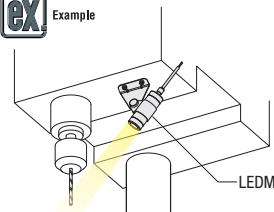
Part Name	Material	Surface Treatment
Main Body	Aluminum	Anodized
Lens	Polycarbonate	-
Cable	PVC	-
Bracket	SUS304	-
Knurled Screw	SUS304	-
Light Controller	ABS Resin	-

Part Number Type	No.	Color	Illuminance (Lux, lx)		Input Voltage (V)	Input Current (mA)	Power Consumption (W)	Temperature Range (°C)	Color Temperature (Kelvin, K)	Luminous Intensity Angle	Mass (g)	Unit Price		
			lx/0.5m	lx/1m								1 - 4 pc(s).	5 - 9	10 - 50
LEDM	1 (Lighting Angle 62°)	White	400	110	DC24 ±10%	50	1.2	-10~45	5000	Approx. 62°	120			
	2 (Lighting Angle 14°)		2000	500						Approx. 14°	135			
LEDMC (Dimming Controller Type)	2 (Lighting Angle 14°)								Approx. 14°	325				

* IP67, main body only. Dimming controller is not oil resistant.
 ⚠ The data for LEDMC2 (Dimming Controller Type) show the values at the maximum. ⚠ For each detail, see the glossary on **P1055**.
 ⚠ For order and installation, confirm "Notes on Usage" section on **P1056**. ⚠ As the LED elements vary on their luminous colors and luminance, they may be slightly different in their colors and brightness, though they are of the same part numbers.

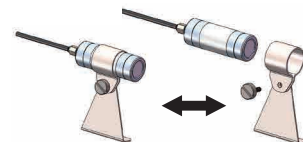
Ordering Example Part Number **LEDM1**

EX Example



* As the degree of protection is IP67, it can be used in environments where there is splattering of cutting oil and coolant.
 ⚠ It is not guaranteed for all customer usage environments.

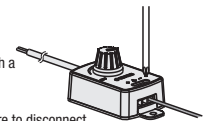
Method for Attaching / Detaching Bracket



* The LED light can be easily attached to and detached from the bracket with knurled screws.

Example of Wiring for Light Controller (Accessory)

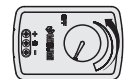
Insert the leads and tighten the screws with a Phillips screwdriver.



⚠ When screw tightening the leads, be sure to disconnect the power or turn the power OFF.

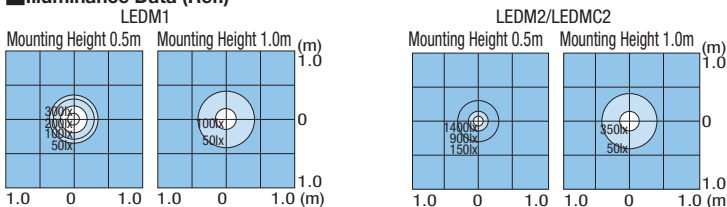
About power ON/OFF function

When the knob is turned all the way to the left, a click will be heard and the power will be OFF.



⚠ Dimming is controlled by applied voltage. When dimming at a low voltage, the LED elements will have unstable emission.

Illuminance Data (Ref.)



⚠ The data for LEDMC2 (Dimming Controller Type) show the values at the maximum.

Light Emission Spectrum

