

Note that, for some of the types shown here, order might be unable to be received by the MISUMI Malaysia, and/or India offices.

LED Line Lighting Wide Beam Angle

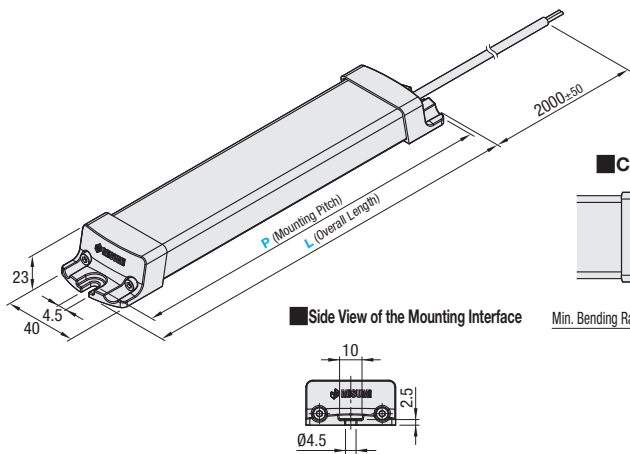
IP54



RoHS 10

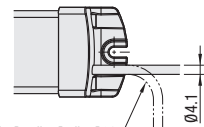


LEDH

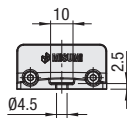


Lead Wire
White +
Black -

Cable Detail



Side View of the Mounting Interface



Part Name	Material
Main Body	Polyamide
Bracket on Both Ends	(Milky White)
Screw on Both Ends	SUS304
Cable	PVC

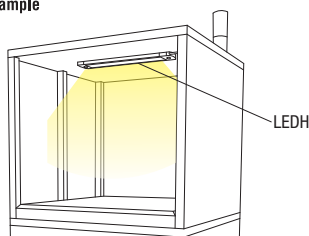
- For AC Adapter and ON / OFF Switch, see P1054.
- Dimming not possible. For Dimming Types, see P1025.

Part Number	Color	L	Illuminance (Lux, lx)		Fluorescent lamp illumination comparison (Reference)	Input Voltage (V)	Input Current (mA)	Power Consumption (W)	Temperature Range (°C)	Color Temperature (Kelvin, K)	Beam Angle	Mass (g)	Unit Price	Volume Discount Rate
			W (White)	lx/0.5m									lx/1m	1 ~ 4 pc(s)
LEDH	W (White)	212	340	100	6W~	DC24 ±10%	210	5	-10~45	5500	180° or More	145		
		350	550	180	10W~		420	10				275		
		512	800	270	20W~		630	15				405		

- For each detail, see the glossary on P1055.
- For order and installation, confirm "Notes on Usage" section on P1056.
- As the LED elements vary on their luminous colors and luminance, they may be slightly different in their colors and brightness, though they are of the same part numbers.

Ordering Example: Part Number - Color
LEDH200 - W

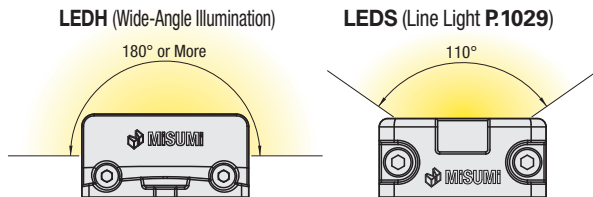
Example



• Even in a small device, if it is installed into the ceiling, its wide beam angle enables illumination of the entire area inside the device.

Illumination Angle

Special LED element substrate arrangement achieves a wide beam angle. It is recommended for locations with limited height that cannot obtain full illumination from narrow beam angle lights.



Illuminance Data (Ref.)

Light Emission Spectrum

