


LED Line Light Dust & Water Proof

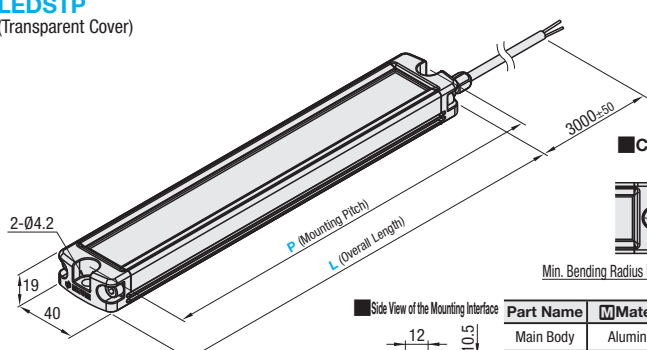
IP67



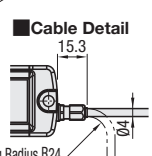
LEDSP
(Milky White Cover)

LEDSTP
(Transparent Cover)

RoHS 10



Side View of the Mounting Interface



Lead Wire
White +
Black -

Part Name | **M**Material | **S**Surface Treatment

| | | |
|--------------------|----------------|---|
| Main Body | Aluminum | Anodized |
| Surface Cover | Polycarbonate | Milky White Cover: Mist Surface Treatment Transparent Cover: Not Treated |
| Screw on Both Ends | SUS304 | - |
| Cable | PVC | - |
| Gasket | Silicon (Gray) | - |

⚠ For AC Adapter, ON / OFF Switch and Angle Adjusting Bracket, see P.1054.
⚠ Dimming not possible. For Dimming Types, see P.1025.

| Part Number | Color | L | Illuminance (Lux, lx) | | Fluorescent lamp illumination comparison (Reference) | Input Voltage (V) | Input Current (mA) | Power Consumption (W) | Temperature Range (°C) | Color Temperature (Kelvin, K) | Luminous Intensity Angle | Mass (g) | LEDSP | | | LEDSTP | | | | | | | | | |
|-------------------------------------|-----------|-----|-----------------------|-----------|--|-------------------|--------------------|-----------------------|------------------------|-------------------------------|--------------------------|----------|------------|----------------------|------------|----------------------|-----|-------|--|--|--|--|--|--|--|
| | | | lx/0.5m | lx/1m | | | | | | | | | Unit Price | Volume Discount Rate | Unit Price | Volume Discount Rate | | | | | | | | | |
| LEDSP (Milky White Cover) | W (White) | 200 | 490 (620) | 120 (150) | 10W~ | DC24 ±10% | 225 | 5.4 | -10 45 | 5000 | Approx. 110° | 310 | 1-4 (pc/s) | 5-9 | 10-50 | 1-4 (pc/s) | 5-9 | 10-50 | | | | | | | |
| | | | 350 | 750 (900) | 210 (250) | | 20W~ | 450 | | | | | 10.8 | | | | | | | | | | | | |
| | | | 665 | 675 | 1180 (1410) | | 360 (430) | 40W~ | | | | | 900 | 21.6 | | | | | | | | | | | |
| | | | 980 | 990 | 1330 (1590) | | 400 (480) | | | | | | 1350 | 32.4 | | | | | | | | | | | |

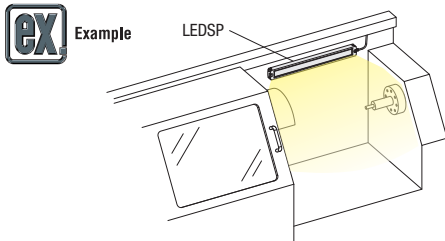
- ⚠ For each detail, see the glossary on P.1055.
- ⚠ For order and installation, confirm "Notes on Usage" section on P.1056.
- ⚠ As the LED elements vary on their luminous colors and luminance, they may be slightly different in their colors and brightness, though they are of the same part numbers.

Ordering Example

Part Number - Color

LEDSP350 - W

LEDSTP665 - W



⚠ As the product has a degree of protection rating of IP67, it can be used for machine tools that scatter particles and water such as cutters or grinders.
⚠ This is not an oil resistant type.

About degree of protection IP indications

IP is a rating for electric equipment to indicate the degree of protection against foreign objects and water. It is a standard based on JIS C 0920:2003 or IEC 60529.

| Degree of Protection | Solid Foreign Objects | Water Intrusion | Target Type |
|----------------------|---|---|-------------------------------------|
| IP54 | No hindrance to normal operation even if there is ingress of foreign particles. | Water splashing against the enclosure from any direction shall have no harmful effect. | • LEDD ☞ P.1037 • LEDH ☞ P.1034 |
| IP65 | Dusts do not intrude. | Water projected by a nozzle against enclosure from any direction shall have no harmful effects. | • LEDS ☞ P.1029 • LEDAF ☞ P.1033 |
| IP67 | Dusts do not intrude. | Submerged in water at specified pressure and duration shall have no ill-effects. | • LEDSP ☞ P.1031 • LEDM ☞ P.1043 |

⚠ All IP tests were conducted by standard methods for standard times. The values are not guaranteed for long time periods.

■ Illuminance Data (Reference) * Only for installation height 1.0 m ■ Light Emission Spectrum

