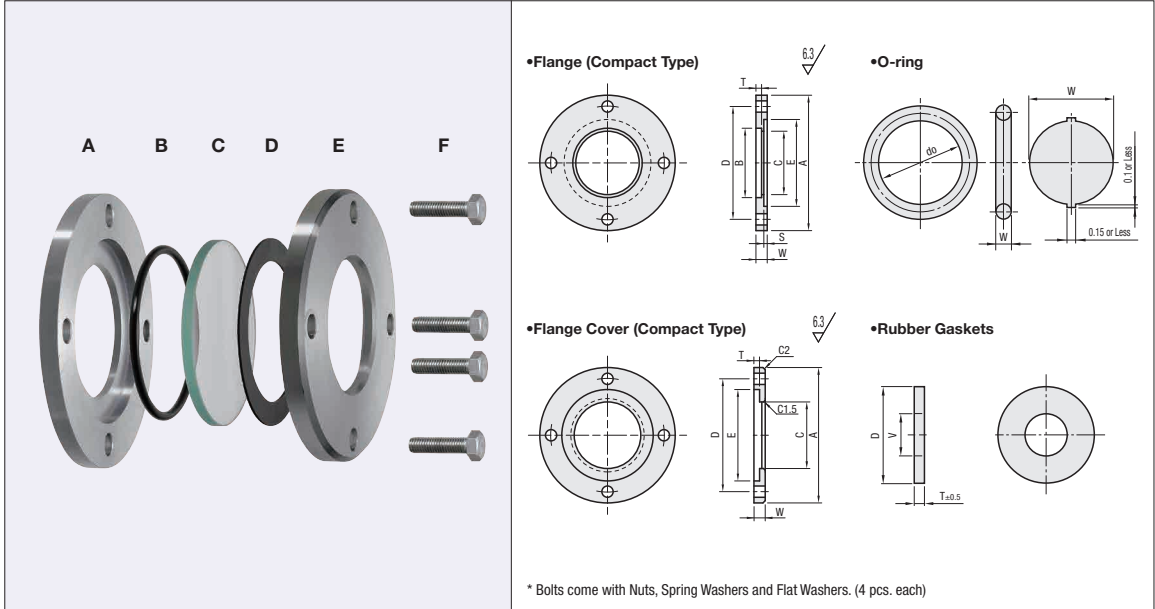


Observation Port Set (Compact Type)

■ Sets of flange, O-ring, glass plate, gasket, flange cover and bolts to match Round Glass Plates.



* Bolts come with Nuts, Spring Washers and Flat Washers. (4 pcs. each)

Part Number		A	B	C	D	E	F
		Flange	O-ring	Round Glass Plates	Rubber Gaskets	Flange Cover	Screw
Standard Type	GLSETN	SUS304	Nitrile Rubber	Reinforced Glass	Nitrile Rubber	SUS304	SUS304 (Nuts, Washers) 4 Sets
Heat Resisting Type (Glass tolerable up to 230°C)	GLSETF		Fluorine	Heat-resistant Glass	Fluorine		

Part Number		A	B		C	D	E	F	Unit Price
Type	No.	Flange P987	JIS	O-ring W	Glass P985 do	Rubber Gaskets D-V-T	Flange Cover P987	Screw	
Standard Type GLSETN	50	GLFBE50	V40	4	39.5	GLMK-50-3	50-35-1	GLFCE50	M6-30
	65	GLFBE65	V55		54.5	GLMK-65-3	65-50-1	GLFCE65	M6-30
	95	GLFBE95	V85		84.0	GLMK-95-5	95-80-1	GLFCE95	M6-30
	130	GLFBE130	V120		119.0	GLMK-130-8	130-115-1	GLFCE130	M8-40
Heat Resisting Type GLSETF	50	GLFBE50	V40		39.5	GLMH-50-3.3	50-35-1	GLFCE50	M6-30
	65	GLFBE65	V55		54.5	GLMH-65-3.3	65-50-1	GLFCE65	M6-30
	95	GLFBE95	V85		84.0	GLMH-95-5	95-80-1	GLFCE95	M6-30
	130	GLFBE130	V120		119.0	GLMH-130-10	130-115-1	GLFCE130A	M8-40

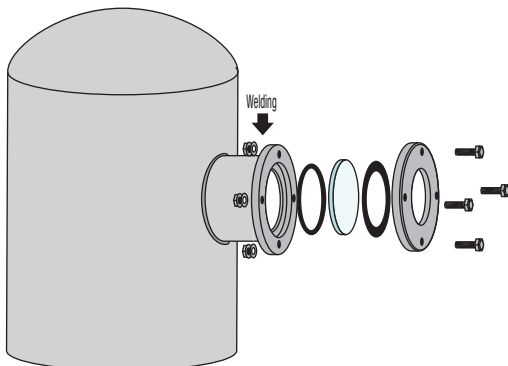


Ordering Example

Part Number
GLSETF65

■ Installation

Use as welded to a pipe.
For compatible pipe diameter, refer to the spec. list for Flanges for Round Glass Plates GLFBE on **P987**.



■ O-ring and Rubber Gaskets

For purchase of O-rings and rubber gaskets separately, see O-ring: O-ring V Series on **P1427** and Rubber Gaskets: Rubber Gasket Products **P455**.