


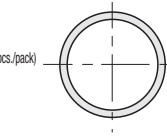
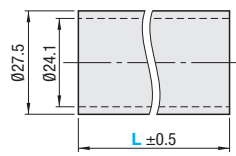
Aluminum Pipe Frames

Aluminum Pipe Frames

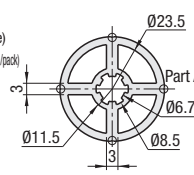
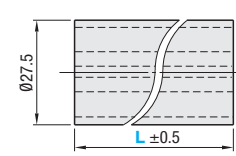


RoHS 10

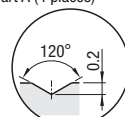
Standard
PFAS (L Configurable)
PFASKS (Base Material, 5 pcs./pack)

Reinforced
PFAUS (L Configurable)
PFAUKS (Base Material, 5 pcs./pack)

Part A (4 places)



ⓘ The aluminum frames cannot be used with the plastic joints.

Type	Material
PFAS PFASKS	A6061SS-T6
PFAUS PFAUKS	A6N01SS-T5

L Configurable

Part Number	Surface Treatment	L 1mm Increment	Mass kg/m	Sectional Area mm ²	Cross Sectional Moment of Inertia mm ⁴		Unit Price 1 ~ 5 pc(s).			
					lx	ly	Less than 300mm		300mm or more	
Type	No.						No Treatment	Anodize	No Treatment	Anodize
PFAS	28 (No Treatment) A (Anodize)	60~4000	0.372	137.8	1.151x10 ⁴	1.151x10 ⁴				
PFAUS			0.786	285	1.655x10 ⁴	1.655x10 ⁴				

4020mm Base Material, 5 pcs./set

Part Number	Surface Treatment	L Length (mm)	Mass kg/pc.	Unit Price 5 pcs./set	
				No Treatment	Anodize
Type	No.			1 ~ 20 set(s)	1 ~ 20 set(s)
PFASKS	28 (No Treatment) A (Anodize)	4020 (5 pcs./set)	1.50		
PFAUKS			3.15		

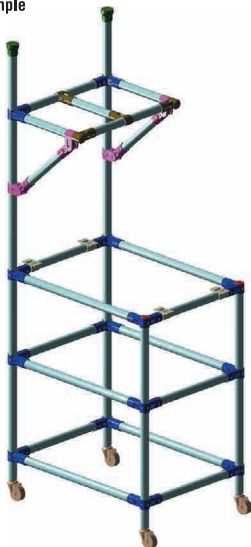
ⓘ ±5mm tolerance for base material with length 4020mm.

Ordering Example

Part Number	-	Surface Treatment	-	L
PFAS28	-	N	-	1250
PFASKS28	-	A	-	

When L is less than 300
 The table indicates unit prices regardless of its length.
 When L is 300 or more
 Price is calculated as follows:
 Unit Price/m x Specified Full Length = Sales Price

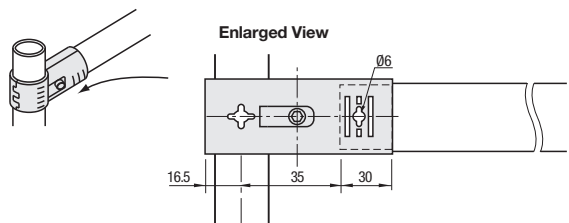
ex Example



Alterations

Part Number	-	Surface Treatment	-	L	-	(Alteration Code)
PFAUS28	-	N	-	800	-	LTP

Alteration Code	Tapping		
	LTP	RTP	TPW
Spec.	Available for PFAUS only Tapping to the Ø6.7 hole Ex. LTP M8 Depth 24 LTP : Tapping on the Left End Face RTP : Tapping on the Right End Face TPW : Tapping on Both Ends		



For cutters for pipe frames and aluminum pipe frames, see **P911** ⓘ This cutter can not cut reinforced aluminum pipe frames.