


# Casters for Aluminum Extrusions / Side Mount Caster Brackets / Mounting Plates for Casters & Leveling Mounts

## Rubber Wheel

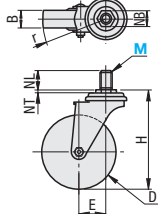


**Rubber Wheel**

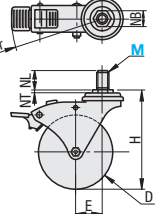
RoHS10

Caster		Wheel	Bearing	
M	S	M	Swiveling Part	Wheel Part
SPHC	Trivalent Chromate	Synthetic Rubber (Black)	Provided	Provided

**HSMA**




**HSMAS**



Body Type	Part Number Type	Allowable Load		D	H	B	E	NB	NT	NL	r	Mass (g)	Unit Price
		M (Coarse)	W (kgf) (N)										
Swivel	HSMA	12	60	594	75	105	25	30	23	4	25	72	500
		16	70	695	100	137	25	35	23	4	25	89	700
Swivel with Stopper	HSMAS	12	60	594	75	105	25	30	23	4	25	105	640
		16	70	695	100	137	25	35	23	4	25	128	950

Ordering Example: Part Number - W  
 HSMA16 - 70

**Side Mount Caster Brackets**

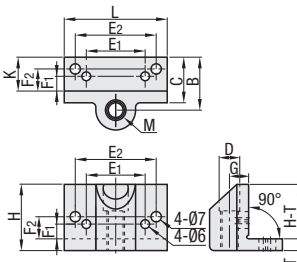


For mounting hole configurable type, see P.1084.

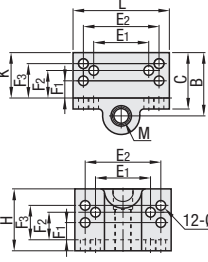
RoHS10

**CPHAL**

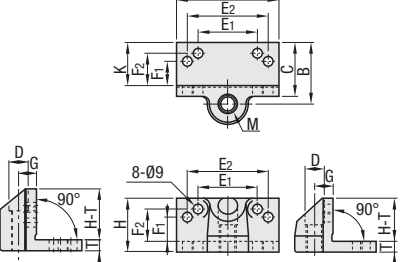
No.10, 12



No.12A



No.16



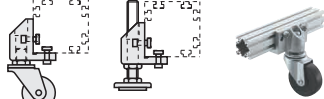
Material: ADC12 Surface Treatment: Baked Finish (Silver)

Part Number Type	No.	Extrusion (Single Slot)	M (Coarse)	H	L	B	K	C	T	D	G	Mounting Hole Dimension			Mass (g)	Unit Price 1 ~ 50 pc(s).	
												E1	E2	F1			
CPHAL	10	20 Square	10	45	70	36	23	31	8	14	13	40	55	10	15	-	135
	12	30 Square	12	45	70	46	33	41	8	14	13	40	55	12.5	20	25	165
	12A	25 Square, 40 Square, 50 Square	12	45	70	46	33	41	8	14	13	40	55	12.5	20	25	165
	16	45 Square, 60 Square	16	50	95	57	40	50	10	20	17	55	75	22.5	30	-	285


\* 5-4040 is applicable to No.10, 12, 16.

Ordering Example: Part Number  
 CPHAL10

Example Mounting of Caster Mounting of Leveling Mount



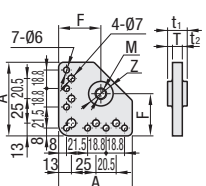
**Mounting Plates for Casters & Leveling Mounts**



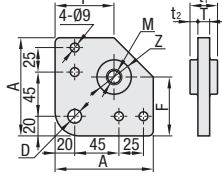
RoHS10

**HPLAT**

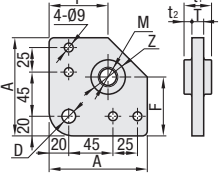
No.5



No.6



No.8



Material: ADC12

Part Number Type	No.	Extrusion	A	T	M	Z	D	F	t1	t2	Mass (g)	Unit Price	Volume Discount Rate
												1-8 pc(s)	9-20
HPLAT	5	20 Square, 30 Square	75	10	12	25	-	43	20	5	120		
	6	40 Square	100	12	16	35	14	60	28	8	281		
	8				20							273	

Ordering Example: Part Number  
 HPLAT6