

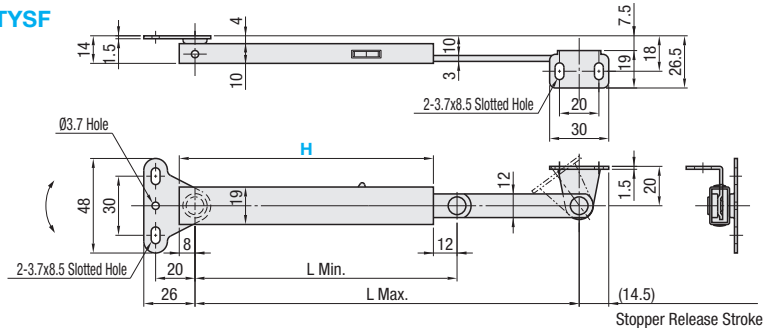
# Stay Sets for Aluminum Extrusions / Slide Bolt Sets for Aluminum Extrusions

**Stay Sets for Aluminum Extrusions**

**RoHS10**

Parts	Material	Surface Treatment
Stay	SUS304	Brushed Finish
Mounting Plate	SPCC	Trivalent Chromate

## STYSF



**MS5**

2-Ø4.5 Countersunk Hole

**MS6**

2-Ø4.5 Countersunk Hole

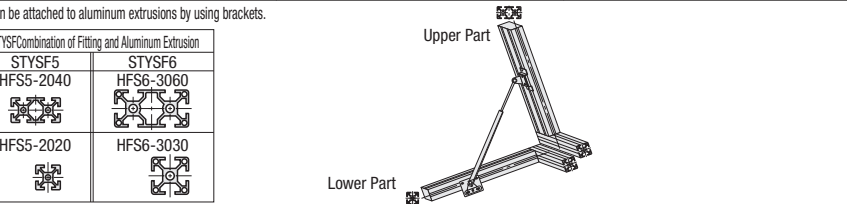
**MS5-2**

**MS6-2**

**Mounting Example**

STYSF Stay can be attached to aluminum extrusions by using brackets.

STYSF Combination of Fitting and Aluminum Extrusion		
	STYSF5	STYSF6
Upper Part	HFS5-2040	HFS6-3060
Lower Part	HFS5-2020	HFS6-3030



Part Number		Component												Unit Price	Volume Discount Rate			
Type	No.	Extrusion Side						Door Side						1 ~ 4 pc(s).	5-50			
		H	Min. Length L Min	Max. Length L MAX	Max. Retainable Load N (kgf/pc.)	Mounting Plate	Mounting Screw	Quantity	Screw	Nut	Quantity	Mounting Plate	Mounting Screw			Quantity	Screw	Nut
STYSF	5	129	133	195	147(15)	MS5	SHFBS4-6	2	SCB3-6	HNTT5-4	3	MS5-2	SCB4-6	2	SCB3-6	HNTT5-4	2	
		166	170	270		MS5	SHFBS4-6	2	SCB3-6	HNTT5-4		MS5-2	SCB4-6	2	SCB3-6	HNTT5-4		
	6	129	133	195		MS6	SHFBS4-8	2	SCB3-6	HNTT6-4	MS6-2	SCB4-8	2	SCB3-6	HNTT6-4			
		166	170	270		MS6	SHFBS4-8	2	SCB3-6	HNTT6-4	MS6-2	SCB4-8	2	SCB3-6	HNTT6-4			

Mounting brackets are the same for different length Stays. Brackets are different for different Frames.

**Slide Bolt Sets for Aluminum Extrusions**

**RoHS10**

**HM1**

**HM2**

Material: SPCC  
Surface Treatment: Trivalent Chromate

## HHMTEN

Material: SUS304

**ex** Example

A Slide Bolt Mounting plate can be used to directly mount a Slide Bolt Latch (HHMT90) to Aluminum Extrusion HFS6.

Part Number		Component										Unit Price	Volume Discount Rate
Type	No.	Extrusion Side				Door Side				1 ~ 9 pc(s).	10-200		
		Slide Bolt	Mounting Plate	Mounting Screw	Quantity	Nut	Quantity	Mounting Plate	Mounting Screw			Quantity	Nut
HHMTEN	6	HHMT90	HM1	SCB4-8	4	HNTT6-4	2	HM2	SCB4-8	6	HNTT6-4	2	

Ordering Example

Part Number - H  
STYSF6 - 129  
HHMTEN6