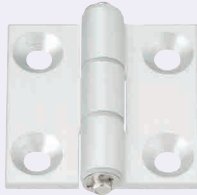


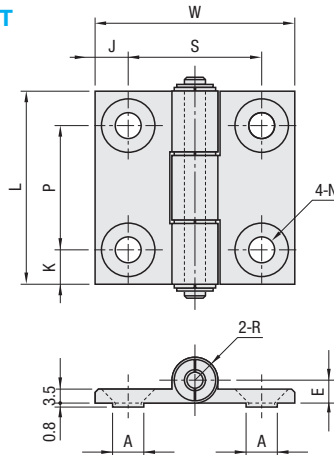
# Aluminum Hinges with Tabs / Aluminum Hinges with Slotted Holes

## Aluminum Hinges with Tabs



RoHS10

### HHPSDT

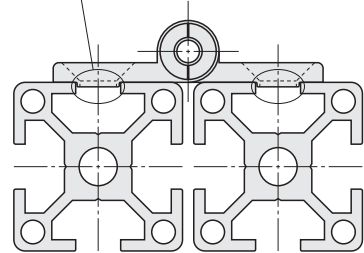


**M** Material: A6063 Bushing: Polyacetal  
**S** Surface Treatment: Clear Anodize



### Example

The protrusions prevent misalignment, making mounting easy.



When mounting the hinges on panels, Hinge Nuts are recommended on **P811**.

Part Number Type	No.	* Allowable Load		Mass g	L	W	K	P	J	S	N		E	A	R	Screw, Nut		Unit Price	Volume Discount Rate	
		kg	N								Through	Countersink				Screw	Nut			Quantity
HHPSDT	5	10	98	23	47	36	11	25	7.5	21	5.5	11	5	5.5	5	4	Flat Head Screw 5-8	HNTT5-5	4	
	6			35		48	8.5	30	8	32	6.5	13	5.5	7.5	5.5		Flat Head Screw 6-10	HNTT6-6		
	8			51		63	13	37	10	42				9.5			Flat Head Screw 6-12	HNTT8-6		

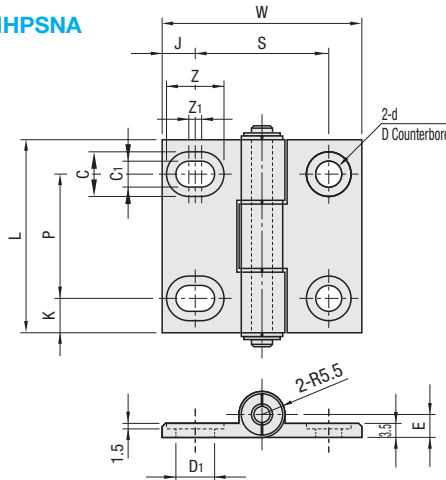
\* The allowable load is the value when 2 pieces are used.

## Aluminum Hinges with Slotted Holes



RoHS10

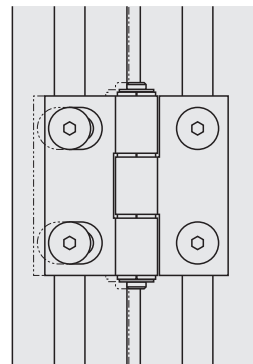
### HHPSNA



**M** Material: A6063 Bushing: Polyacetal  
**S** Surface Treatment: Clear Anodize



### Example



Slotted mounting holes make it possible to adjust right and left positions.

When mounting the hinges on panels, Hinge Nuts are recommended on **P811**.

Part Number Type	No.	* Allowable Load		Mass g	L	W	K	P	J	S	d	D	D1	C	C1	Z	Z1	E	Screw, Nut		Unit Price	Volume Discount Rate	
		kg	N																Through	Counterbore			Screw
HHPSNA	5	10	98	22	47	36	11	25	7.5	21	5.5	10	7	10	5.5	11.5	1.5	5	4	CBSA5-6	HNTT5-5	4	
	6			32		48	8.5	30	8	32	6.5	11	9.5	11	6.5	14	3	5.5		CBSA6-8	HNTT6-6		
	8			47		63	13	37	10	42				11.5		16	5	5.5		CBSA6-10	HNTT8-6		

\* The allowable load is the value when 2 pieces are used.



Ordering Example

Part Number

HHPSDT6  
HHPSNA6



Alterations



Part Number - (SET, SST)

HHPSDT6 - SST

Alterations	Code	Spec.	Hinge	No.
Applicable Screw and Nut Set	SET SST (Stainless Steel)	Applicable screws and nuts come in a set. When SST is specified, screws and nuts will be in stainless steel. HHPSNA is available for -SET only. (When -SET is specified, the material of the Flat Head Screws is SCM435 and their surface treatment is Black Oxide.)	HHPSDT	5
				6
				8
			HHPSNA	5
				6
				8