


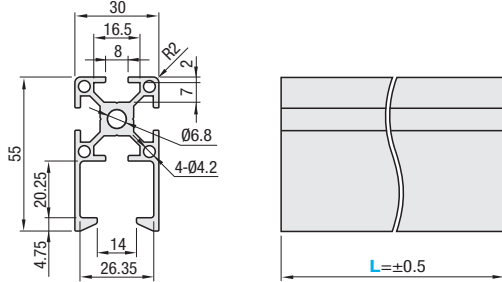
Aluminum Extrusions for Sliding Doors / Pulley Kits/Guides for Sliding Doors

Pulley Kits for Sliding Doors Extrusion



RoHS 10

HFHSD6-3030



M Material: A6N01SS-T5
S Surface Treatment: Anodize

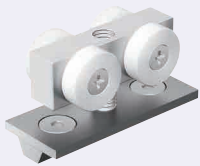
Part Number	L 0.5mm Increment	Mass kg/m	Sectional Area mm ²	Cross Sectional Moment of Inertia mm ⁴		Unit Price Less than 300mm 1 ~ 80 pc(s).	Unit Price/m 300mm or more 1 ~ 80 pc(s).
				ℓx	ℓy		
HFHSD6-3030	50~4000	1.26	467	5.17x10 ⁴	12.44x10 ⁴		

Alterations

Part Number - L - (Alteration Code)
HFHSD6-3030 - 1000 - TPW

Alteration	Tapping		
	LTP	RTP	TPW
Code	LTP	RTP	TPW
Spec.	Tapping on the Left End Face Tap Shape M8-Depth 24	Tapping on the Right End Face Tap Shape M8-Depth 24	Tapping on Both Ends Tap Shape M8-Depth 24

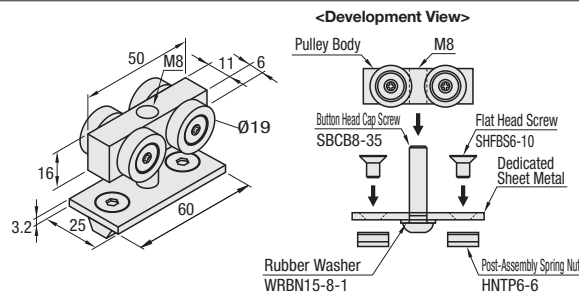
Pulley Kits for Sliding Doors



RoHS 10

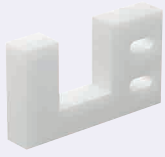
HASGD

Parts	M	Material	S	Surface Treatment
Caster	SS400		Trivalent Chromate	
Pulley Bearing	SUJ2			
Wheel	Polyacetal			
Sheet Metal	SPHC		Trivalent Chromate	
Button Head Cap Screw	SUS304			
Flat Head Screw				
Rubber Washer	Nitrile Rubber (NBR)			
Spring Nut	S10C Equivalent		Trivalent Chromate	



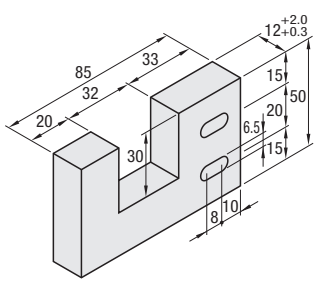
Part Number	Guideline Allowable Load (N)	Unit Price	Volume Discount Rate
		1 ~ 4 pc(s).	5-50
HASGD	100		

Guides for Sliding Doors



RoHS 10

HASGY



M Material: Polyacetal

Part Number	Unit Price	Volume Discount Rate
	1 ~ 4 pc(s).	5-30
HASGY		

ex Example

