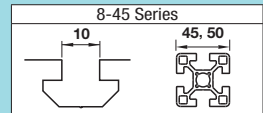


Tabbed Brackets

For 8-45 Series (Slot Width 10mm) Aluminum Extrusions



■ **Features:** Tabbed Brackets to be connected by both L and Cross-Connections.

■ **Tabbed Reversal Brackets**



Type	Material	Surface Treatment
HBLFSN8-45	ADC12	-
HBLFSNB8-45		Black Anodize
HBLFSNM8-45		Electroless Nickel Plating
CHBLFSN8-45		Baked Paint (Silver)
HBLFSN8-50		-

*Baked Paint (Silver) is color coordinated with Clear Coating Extrusions.

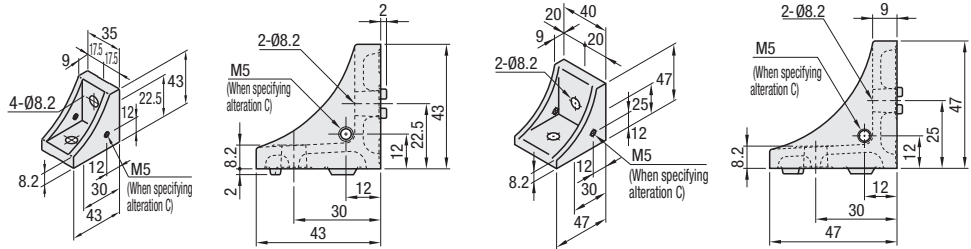
Tabbed Reversal Brackets

- HBLFSN8-45**
- HBLFSNB8-45**
(Black Anodize)
- HBLFSNM8-45**
(Electroless Nickel Plating)
- CHBLFSN8-45**
(Baked Paint, Silver)

For 50 Sq.

Tabbed Reversal Brackets

HBLFSN8-50



Part Number	Mass (g)	Applicable Screw, T Nut				Allowable Load (N)	Unit Price 1-99 pc(s)	Volume Discount Rate 100-200
		Screw	Quantity	T Nut	Quantity			
HBLFSN8-45	55	CBM8-20	2	HNTT8-8	2	2058		
HBLFSNB8-45* (Black Anodize)								
HBLFSNM8-45 (Electroless Nickel Plating)								
CHBLFSN8-45 (Baked Paint, Silver)								
HBLFSN8-50	78							

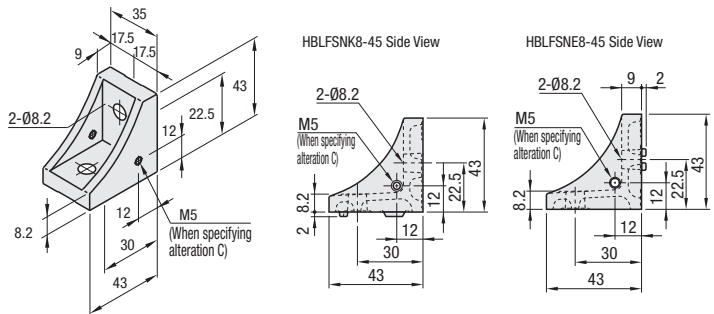
* For repairing black anodizing, refer to P846.

■ **Features:** Brackets with single side tabs. Plates can be mounted on the side without tabs.

■ **Brackets with Single Side Tab**



HBLFSNK8-45
HBLFSNE8-45



Material: ADC12

Part Number	Mass (g)	Applicable Screw, T Nut				Allowable Load (N)	Unit Price 1-99 pc(s)	Volume Discount Rate 100-200
		Screw	Quantity	T Nut	Quantity			
HBLFSNK8-45	55	CBM8-20	2	HNTT8-8	2	2058		
HBLFSNE8-45								