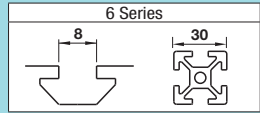



Sheet Metal Plates

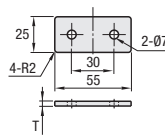
For 6 Series (Slot Width 8mm) Aluminum Extrusions



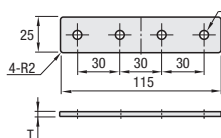
■ Features: Can be used for reinforcement of connecting extrusions.



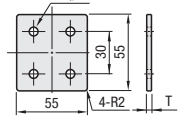
**HPTSS6
SHPTSS6**



**HPTSSL6
SHPTSSL6**




**HPTSD6
SHPTSD6**

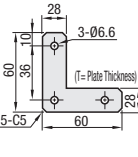


Type	Material	Surface Treatment
HPTSS	SPHC	Trivalent Chromate
HPTSSL		
HPTSD		
SHPTSS	SUS304	-
SHPTSSL		
SHPTSD		

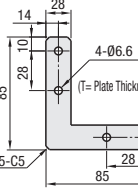
Part Number	Mass g	T	Applicable Screw and Nut			Unit Price 1-99 pc(s).	Volume Discount Rate 100-120
			Screw	Quantity	Nut		
HPTSS6	32	3.2	M6-10	2	M6		
SHPTSS6		3					
HPTSSL6	64	3.2		4			
SHPTSSL6		3					
HPTSD6	70	3.2	4				
SHPTSD6		3					



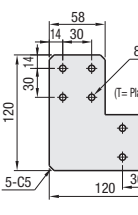
**HPTLN6
SHPTLN6**



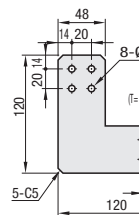
**HPTLS6
SHPTLS6**



HPTLD6




HPTLD6-50

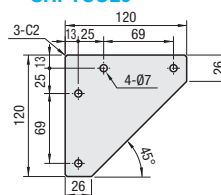


Type	Material	Surface Treatment
HPTLN	SPHC	Trivalent Chromate
HPTLS		
HPTLD6		
HPTLD6-50	SUS304	-
SHPTLN		
SHPTLS		

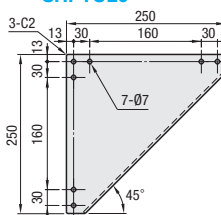
Part Number	Mass g	T	Applicable Screw and Nut			Unit Price 1-99 pc(s).	Volume Discount Rate 100-120
			Screw	Quantity	Nut		
HPTLN6	56	3.2	M6-10	3	M6		
SHPTLN6		3					
HPTLS6	92	3.2		4			
SHPTLS6		3					
HPTLD6	250	3.2	8				
HPTLD6-50	230	3.2		8			



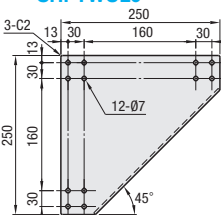
**HPTCUL6
SHPTCUL6**



**HPTUL6
SHPTUL6**



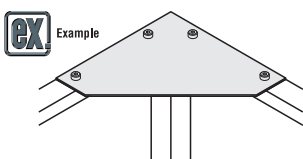
**HPTWUL6
SHPTWUL6**



Type	Material	Surface Treatment
HPTCUL	SPHC	Trivalent Chromate
HPTUL		
HPTWUL		
SHPTCUL	SUS304	-
SHPTUL		
SHPTWUL		

Part Number	Mass g	T	Applicable Screw and Nut			Unit Price 1-99 pc(s).	Volume Discount Rate 100-120
			Screw	Quantity	Nut		
HPTCUL6	150	2.3	M6-10	4	M6		
SHPTCUL6		2					
HPTUL6	600	2.3		7			
SHPTUL6		2					
HPTWUL6	598	2.3	12				
SHPTWUL6		2					

Ordering Example
Part Number
HPTSS6



Alterations Part Number - (SET)
HPTSS6 - SET
⚠ Not RoHS compliant when -SET is specified.

Alteration	Code	Spec.	Part Number
Applicable Screws and Nuts Set	SET	Applicable screws and nuts for mounting each plate on extrusions come in a set.	HPTSS6
			SHPTSS6
			HPTSSL6
			SHPTSSL6
			HPTSD6
			SHPTSD6
			HPTLN6
			SHPTLN6
			HPTLS6
			SHPTLS6
			HPTLD6
			HPTLD6-50
HPTCUL6			
SHPTCUL6			
HPTUL6			
SHPTUL6			
HPTWUL6			
SHPTWUL6			