


Antivibration Rubber Mounts

Tapped and Threaded Studs / Tapped Stud, Plate Mount

■ Takes up little space for installation. For types with slotted studs even easier to install, see P462.



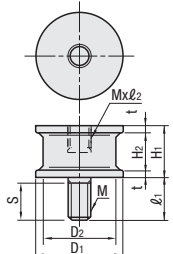
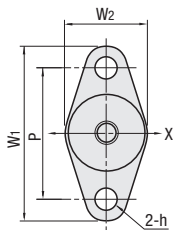
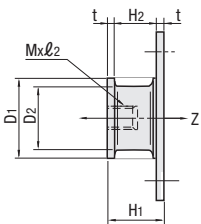
RoHS 10

■ Tapped and Threaded Studs

Type	Material		Hardness	Accessory
	Main Body	Metal Fitting		
BGONA	Natural Rubber	Steel (Trivalent Chromate)	Shore A60	Nut, Spring Washer 1 pc. each

■ Tapped Stud, Plate Mount

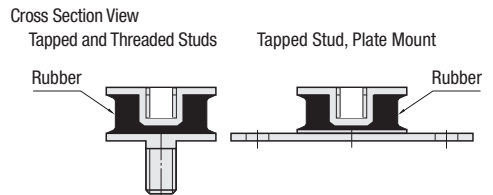
Type	Material		Hardness
	Main Body	Metal Fitting	
BGONP	Natural Rubber	Steel (Trivalent Chromate)	Shore A60

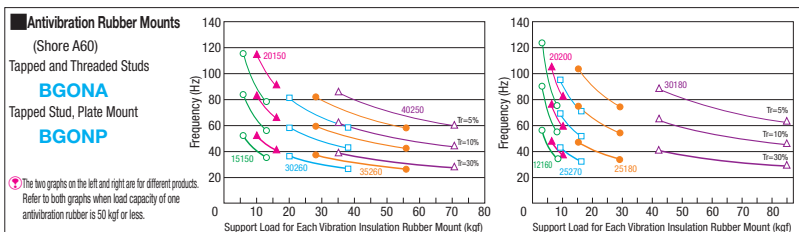
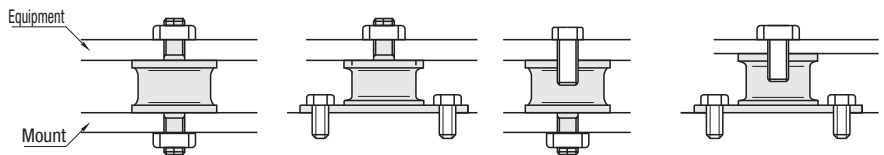
Part Number		D1	D2	H1	H2	t	ℓ1	S	M (Coarse)	ℓ2	W1xW2	h	P	Z Direction			X Direction Allowable Load N (kgf)	Rigidity Ratio KX/KZ	Unit Price		
Type	No.													Allowable Load N (kgf)	Standard Load N (kgf)	Spring Constant (N/mm) (kgf/cm)			BGONA	BGONP	
(Shore A60) Tapped and Threaded Studs BGONA Tapped Stud, Plate Mount BGONP	12160	12	10	16	12.0	2.0	12	11	5	4.5	-	-	-	110 {11}	30-78 {3-8}	62 {63}	25 {2.5}	0.20			
	15150	15	12	15	11.0		12	12						160 {16}	59-130 {6-13}	110 {110}	34 {3.5}	0.24			
	20150	20	15	20	16.0	2.3	18	16	6	5	49x20	36	7	42	280 {29}	90-160 {10-16}	180 {180}	69 {7}	0.18		
	20200			20	16.0										180 {18}	59-98 {6-10}	88 {90}	49 {5}	0.22		
	25180	25	20	18	13.4	2.3	24	20	8	7.2	62x30	48	9	53	580 {59}	147-280 {15-29}	220 {220}	98 {10}	0.19		
	25270			27	22.4										310 {32}	88-160 {9-16}	110 {110}	59 {6}	0.22		
	30180	30	25	18	13.4	2.3	30	25	8	7.2	69x35	53	9	60	1700 {170}	415-830 {43-85}	610 {620}	250 {25}	0.15		
	30260			26	21.4										760 {77}	196-370 {20-38}	180 {180}	150 {15}	0.22		
	35260	35	30	26	21.4	2.3	30	25	8	7.2	76x40	53	9	60	1100 {110}	275-550 {28-56}	250 {260}	260 {27}	0.24		
	40250	40	34	25	20.4										1420 {145}	363-700 {37-71}	340 {350}	320 {33}	0.23		

Ordering Example Part Number **BGONA15150**

- ⦿ Spring constant in X direction is calculated by (Spring Constant in Z Direction x Rigidity Ratio).
- ⦿ Selection Methods, Mounting Methods, Properties, Cautions **☞ P460**



Example



⦿ Values in the graph are nominal for each type. ⦿ The above values are not guaranteed values but a calculated ones.