


# Shock Absorbers

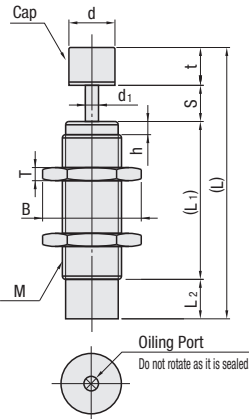
## Fixed Force Type



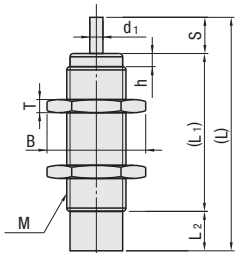
Similar Products Comparison Point | RoHS Compliant Replacement Interval (cycle): 1,000,000 cycles



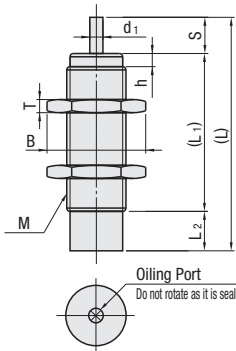
**MAK**  
(Cap)



Oiling Port  
Do not rotate as it is sealed.



**MAKS**  
(No Cap)



Oiling Port  
Do not rotate as it is sealed.

For parallel use of more than 2 pieces, be sure to use the same type and install them to receive the shock equally.

Operating Ambient Temperature: -5 ~ 70°C

Fully threaded if there is no h dimensions in the specification table.

Replace after 1,000,000 cycles.

No.	Material (Main Body)	Surface Treatment
0404	SUS303	-
0604	C3604	-
0805	SUM	Electroless Nickel Plating
1005		
1008		
1210		
1412		
1612		
2016	STKM12C	Electroless Nickel Plating
2022		
2530		
2725	Polycetal	-
3035		
Cap	Only 2022 is urethane rubber.	-

RoHS 10

Part Number			Thread Dia. M	Stroke S	Max. Absorbed Energy (E)		Max. Equivalent Mass (me) (kg)	Piston Rod Return Force (N)	Max. Drag Value (N)	(L)	(L1)	L2	d	d1	t	B (Wrench Flats)	T	h	MAK		MAKS	
Type	No.	Velocity			per Impact (J)	per Minute (J)													9.8 or Less	9.8 or Less	Unit Price	Volume Discount Rate
<b>MAK</b> (Cap)	0404	A	M4 x 0.5	4	0.1	4.5	1	2.5 or Less	214	32.6 (28.6)	20.1	4.5	3	1.2	8.1 (7)	2	0.5					
		B			0.3	13.5	3															
	0604	A	M6 x 0.75	4	0.1	4.5	1	3 or Less	363	33 (29)	20.5	4.6	1.8	4	9.2 (8)	2	0.5					
		B				0.3	13.5											2				
	0805	A	M8 x 0.75	5	0.39	17.6	3	4.9 or Less	490	37 (32)	22	5	2	5	12.7 (11)	2	1.5					
		B				0.68	22.5											3				
	1005	A	M10 x 1.0	8	0.98	41.1	5	5.88 or Less	735	39 (32)	33	6	3	7	14.2 (13)	3	1.5					
		B																7	5.88 or Less	53 (46)	33	
	1008	L	M10 x 1.0	8	1.47	58.8	20	4.9 or Less	1078	55 (48)	34.5	5.5	6	3	7	14.2 (13)	3	1.5				
		M																	6			
	1210	A	M12 x 1.0	10	1.96	98	15	9.8 or Less	1470	68 (60)	45	5	8	3.5	8	16.2 (14)	4	1.5				
		B																	30			
1412	L	M14 x 1.5	12	9.8	176	20	8.9 or Less	2156	78 (70)	52.5	5.5	10	13.5	5	15	20 (19)	6	1.5				
	M																		8			
1612	L	M16 x 1.5	12	14.7	235	110	9.8 or Less	2940	90 (75)	57.5	13.5	5	15	20 (19)	6	1.5						
	M																13					
2016	L	M20 x 1.5	16	29.4	343	230	18.1 or Less	3528	110 (93)	63	14	18	6	17	27.7 (24)	8	1.5					
	M																	25				
2022	L	M20 x 1.5	22	44.1	392	73	39.2 or Less	3920	126.5 (112)	76	14.5	14.5	14.5	18	37 (32)	10	1.5					
	M																	30				
2530	L	M25 x 1.5	30	88.2	490	390	29.4 or Less	6370	158 (140)	95	22	18	8	37 (32)	10	1.5						
	M																175					
2725	L	M27 x 1.5	25	79	539	420	27.3 or Less	6370	137.5 (117.5)	77.5	23	20	20	41.6 (36)	14	1.5						
	M																105					
3035	L	M30 x 1.5	35	196	1176	1560	47.1 or Less	14700	190 (171.5)	116.5	20	27	10	18.5	41.6 (36)	14	1.5					
	M																	390				

L dimension values in ( ) are for MAKS.

kgf·m=Jx0.101972 kgf=Nx0.101972

Collision Velocity Type	Collision Velocity Range	Max. Operating Cycle
Low Speed A	0.3~1m/s	60cycle/min *
Medium Speed B		
High Speed L		
Medium Speed M	0.3~2m/s	
High Speed H	0.3~3m/s	



Ordering Example  
**Part Number**  
MAK1008L

\* No.0404, 0604 and 0805 are 45cycle/min; No.3035 is 30cycle/min.