


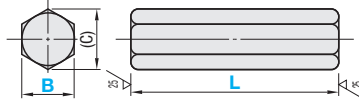
Hex Rods

Material: S45C, SUS303 / 304, C3604, A2011



Type	Material
RDRC	S45C Equivalent
RDRF	SUS303
RDRS	SUS304
RDRG	C3604 Brass (Brass)
RDRA	A2011

✓ (S/S)



L Dimension Tolerance or More or Less Tolerance

L	Dimension Tolerance
15	±0.2
30	±0.3
31	±0.3
120	±0.3
121	±0.5
400	±0.5
401	±0.8
1000	±0.8

RoHS10
Part Numbers in are not RoHS compliant.

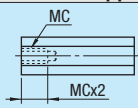
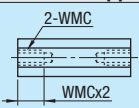
Part Number Type	B	L	
		1mm Increment	(C)
RDRC (S45C) RDRF (SUS303) RDRS (SUS304) RDRG (C3604) RDRA (A2011)	6	15~400	6.9
	7		8.1
	8		9.2
	10	25~600	11.5
	12		13.9
	13		15.0
	14		16.2
	17	35~800	19.6
	19		21.9
	24		27.7
	27		31.2
	30		34.6
	32	65~1000	36.9

Ordering Example

Part Number - L
RDRC10 - 300

Alterations

Part Number - L - (MC, WMC)
RDRC19 - 535 - MC8

Alterations	One End Tapped	Both Ends Tapped		
				
Code	MC	WMC		
Spec.	Adds a tap on one end. Ordering Code MC8 6 ≤ B ≤ 32 When L ≤ Mx2, the tap goes through.	Adds taps on both ends. Ordering Code WMC12 6 ≤ B ≤ 32 When L ≤ Mx4, the tap goes through.		
	B	MC (Selection Range)	B	WMC (Selection Range)
	6, 7	3	6, 7	3
	8	3, 4	8	3, 4
	10	3, 4, 5	10	3, 4, 5
12-14	3, 4, 5, 6	12-14	3, 4, 5, 6	
17, 19	3, 4, 5, 6, 8	17, 19	3, 4, 5, 6, 8	
24	3, 4, 5, 6, 8, 10, 12	24	3, 4, 5, 6, 8, 10, 12	
27-32	3, 4, 5, 6, 8, 10, 12, 16	27-32	3, 4, 5, 6, 8, 10, 12, 16	
	When L ≤ Mx4, the pilot hole for tapping may go through.			

Part Number Type	B	Unit Price					
		Min. L ~ 100	101~200	201~400	401~600	601~800	801~1000
RDRC	6						
	7						
	8						
	10						
	12						
	13						
	14						
	17						
	19						
	24						
	27						
	30						
32							
RDRF	6						
	7						
	8						
	10						
	12						
	13						
	14						
	17						
	19						
	24						
	27						
	30						
32							
RDRS	6						
	7						
	8						
	10						
	12						
	13						
	14						
	17						
	19						
	24						
	27						
	30						
32							

Part Number Type	B	Unit Price					
		Min. L ~ 100	101~200	201~400	401~600	601~800	801~1000
RDRG	6						
	7						
	8						
	10						
	12						
	13						
	14						
	17						
	19						
	24						
	27						
	30						
32							
RDRA	6						
	7						
	8						
	10						
	12						
	13						
	14						
	17						
	19						
	24						
	27						
	30						
32							