


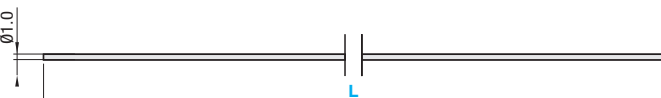
Wires / Connecting Parts

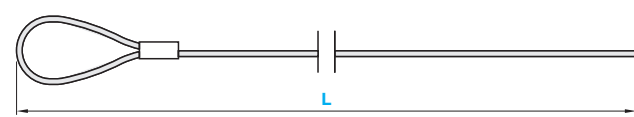
Wires

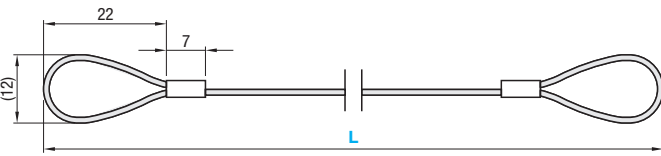


RoHS10

LPWW

A Shape 

B Shape 

C Shape 

Ⓜ Dimension in () is for reference only. Ⓜ Material: SUS304

Part Number Type	Shape	L 50mm Increment	Allowable Load (Ref.)	Unit Price		
				A	B	C
LPWW	A	100~500	9kg			
	B C	550~1000				


Part Number - L

Type Shape - L

LPWW C - 850

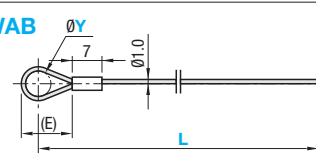
Ⓜ The reference applied load is only a guideline.

Wires
Loop Dia. Configurable

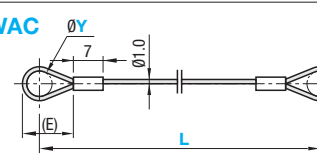


RoHS10

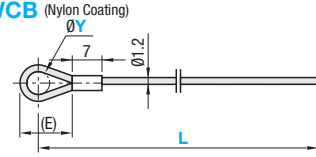
CWAB



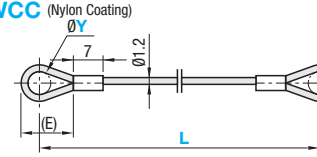
CWAC



CWCB (Nylon Coating)



CWCC (Nylon Coating)



Ⓜ Wire Material: SUS304

Part Number Type	Y Selection	L Configurable	L (E)	Allowable Load (Ref.)				Mass (Wire only)				Unit Price			
				CWAB CWAC	CWCB CWCC	CWAB CWAC	CWCB CWCC	CWAB CWAC	CWCB CWCC	CWAB CWAC	CWCB CWCC				
CWAB (One Side) CWAC (Both Sides)	10	100-500 (10mm Increment)	20	9kg	5kg	3.97g/m	4.49g/m								
		550-1000 (50mm Increment)													
Nylon Coating CWCB (One Side) CWCC (Both Sides)	15	100-500 (10mm Increment)	30	9kg	5kg	3.97g/m	4.49g/m								
		550-1000 (50mm Increment)													
	20	100-500 (10mm Increment)	40												
		550-1000 (50mm Increment)													

Alterations

Part Number - L - DW(TKC) - DW(TKC)


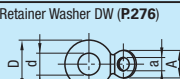
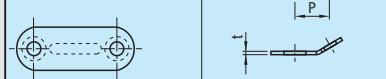
CWAB10 - 500 - DW3
 CWAC15 - 800 - DW5
 CWCC20 - 850 - DW4 - DW5
 TKC

Ordering Example

Part Number - L

Type Y Selection - L

CWAB 10 - 500
 CWCC 20 - 850

Bracket on Looped Part	
<p>Alterations</p> <p>Shipped with bracket set on the looped part. One metal joint for CWAB and CWCB and one or two joint(s) for CWAC and CWCC are selectable.</p> <p>Ⓜ Applicable only to CWAB, CWAC, CWCB, CWCC.</p>	<p>Spec.</p> <div style="display: flex; justify-content: space-between;"> <div style="width: 45%;"> <p>Mounting Bracket TKC (P276)</p>  <p>Retainer Washer DW (P276)</p> </div> <div style="width: 45%;">  </div> </div> <p>Ⓜ Material: SUS304 A Accessory: Flat Head Screw M4-5, 2 pcs. (SUS304 Equivalent)</p> <p>Swage TKC with wire threaded. Swage DW with its Øa part wire threaded.</p>
Code	TKC DW