


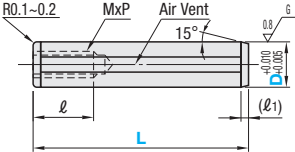
Dowel Pins

Oversized

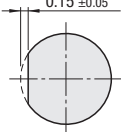
One End Tapped



Type	Material	Hardness
MSTP	SUJ2	58HRC~
MSTPC	SUS440C	58HRC~
MSTPCS	SUS304	-



Air Vent Depth
All air vents are identical in depth.



⚠ When D=5 or 6 and L=10, the pilot hole for tapping may go through.
⚠ * l=6 only when D=6 and L=10
⚠ l₁ dimension may become larger than the value shown in the catalog due to polishing process.

l ₁	MxP	l	Part Number		L	Unit Price	Volume Discount Rate
			Type	D			
1.5	3x0.5	6	MSTP	5	10 15 20 25 30		
				6	20 30		
2.0	4x0.7	*8		10	10 15 25 35 40 50		
				8	30		
2.5	5x0.8	10		12	15 20 25 35 40 45 50 60		
				13	70 80		
3.0	6x1.0	15		16	40		
				16	40 50 60 70		

⚠ For orders larger than indicated quantity, please check with WOS.


l ₁	MxP	l	Part Number		L	Unit Price	Volume Discount Rate
			Type	D			
1.5	3x0.5	6	MSTPC	5	10 15 20		
				6	15 20 25 30		
2.0	4x0.7	8		8	15 20 25 30 35 40		
				10	20 25 30 35 40 45 50 60		
2.5	6x1.0	10		12	30 40 50 60		
				13	30 40 50 60		

⚠ For orders larger than indicated quantity, please check with WOS.

l ₁	MxP	l	Part Number		L	Unit Price	Volume Discount Rate		
			Type	D			1 - 19 pcs(s)	20-29	30-49
1.5	3x0.5	6	MSTPCS	5	10 15 20 25 30				
				6	10 15 20 25 30 35 40				
2.0	4x0.7	8		8	15 20 25 30 35 40 45 50				
				10	20 25 30 35 40 45 50				

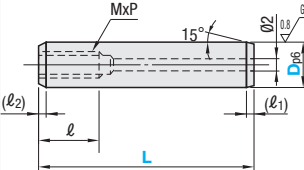
⚠ For orders larger than indicated quantity, please check with WOS.

One End Tapped (Hollow)



RoHS 10

Type	Material	Hardness
THS	SUJ2	45~50HRC
THSS	SUS440C	



⚠ l₁, l₂ dimension may become larger than the value shown in the catalog due to polishing process.

l ₁	l ₂	l	MxP	Dp6	Part Number		L	Unit Price	Volume Discount Rate		
					Type	D			1 - 499 pcs(s)	500-999	1000-1999
2	0.3	8	4 x 0.7	+0.020 +0.012	THS	6	15 20 25 30 35				
						8	15 20 25 30 35				
2.5	0.5	10	5 x 0.8	+0.024 +0.015		10	20 25 30 35 40				
						12	20 25 30 35 40 45				
3.0	1.0	15	6 x 1.0	+0.029 +0.018		12	20 25 30 35 40 45				

⚠ For orders larger than indicated quantity, please check with WOS.

l ₁	l ₂	l	MxP	Dp6	Part Number		L	Unit Price	Volume Discount Rate		
					Type	D			1 - 499 pcs(s)	500-999	1000-1999
2	0.3	8	4 x 0.7	+0.020 +0.012	THSS	6	15 20 25 30 35				
						8	15 20 25 30 35				
2.5	0.5	10	5 x 0.8	+0.024 +0.015		10	20 25 30 35 40				
						12	20 25 30 35 40 45				
3.0	1.0	15	6 x 1.0	+0.029 +0.018		12	20 25 30 35 40 45				

⚠ For orders larger than indicated quantity, please check with WOS.