

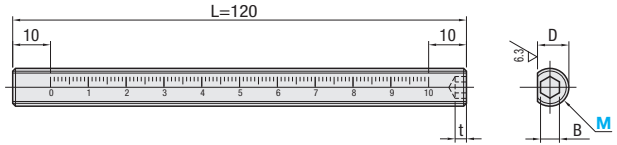
Fully Threaded Studs with Scale / Flanged Brackets

Bracket Type

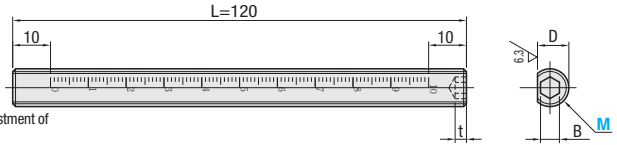


RoHS10

Direction of Scale Display **Y** (Horizontal)



Direction of Scale Display **T** (Vertical)



Type	Material	Surface Treatment
ASSB	SCM435	Black Oxide
ASSS	SUS304	-

*Use as measuring tool for adjustment of machines and equipment.

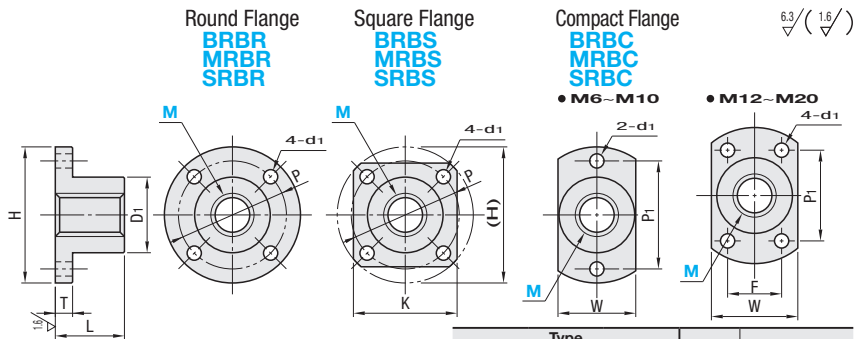
Part Number	Type	Direction of Scale Display	M (Coarse)	L	B	D	t	ASSB		ASSS	
								Unit Price	Volume Discount Rate	Unit Price	Volume Discount Rate
			8	120	4	6.6	5	1 - 4 pcs	5 - 50 pcs	1 - 4 pcs	5 - 50 pcs
		Y (Horizontal)	10		5	8.3	6				
ASSB	Y (Horizontal)	12	6		10	8					
ASSS	T (Vertical)	16	8		14	10					



Ordering Example: Part Number - M
Type - Direction of Scale Display
ASSS - T - 8



RoHS10



Type	Material	Surface Treatment
Round Flange	SS400	Black Oxide
Square Flange	SS400	Electroless Nickel Plating
Compact Flange	SUS304	-

Part Number	Type	M	MxPitch	L	D1	H	T	P	K	W	P1	F	d1	Unit Price						
														BRBR	MRBR	SRBR	BRBS	MRBS	SRBS	BRBC
Round Flange	BRBR	6	6x1.0	12	12	28	4	20	22	12	20		3.5							
	MRBR	8	8x1.25	14	15	32		25	25	15	25									
	SRBR	10	10x1.5	18	20	38	5	30	30	20	30									
Square Flange	BRBS	10A	10x1.25	20	22	40		32	32	25	28	16	4.5							
	MRBS	12	12x1.75	20	22	40		40	39	32	33	22	5.5							
	SRBS	14A	14x1.5	22	26	50	6													
	BRBC	16	16x2.0	26	28															
Compact Flange	MRBC	18A	18x1.5	30	32	63	8	50	48	40	42	25	6.6							
	SRBC	20	20x2.5	32	35															

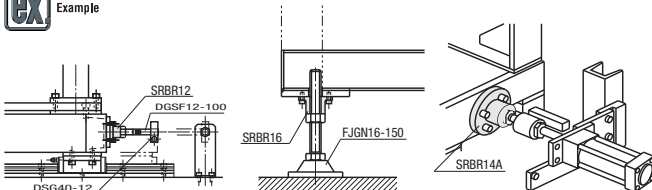
Thread pitches 10A, 14A and 18A are fine.

Ordering Example: Part Number - MC
SRBR16 - MC



Alterations: Part Number - (MC)
SRBR16 - MC

EX Example



Alteration	Additional Tapped Holes for Set Screws	
	Diagram	Code
		MC
Code		MC
Spec.	M	MC
	6	9
	8	10
	10	M3
	10A	13
	12	14
	14A	M4
	16	16
18A	M5	
20	20	