
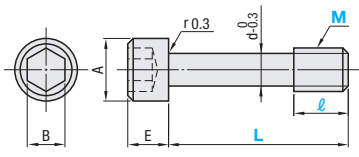

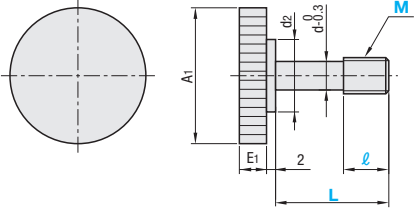

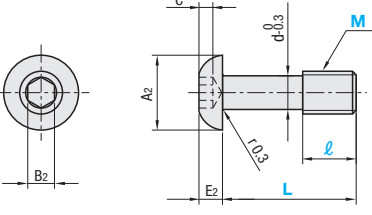


Cover Screws

Configurable Length

Configurable Length Hex Socket Head  RoHS10	<table border="1"> <tr> <th>Type</th> <th>Material</th> <th>Surface Treatment</th> <th>Strength Class</th> </tr> <tr> <td>FGUTM</td> <td>SCM435</td> <td>Electroless Nickel Plating</td> <td>8.8 Equivalent</td> </tr> <tr> <td>FGUTS</td> <td>SUS304 Equivalent</td> <td>-</td> <td>A2-70 Equivalent</td> </tr> </table>	Type	Material	Surface Treatment	Strength Class	FGUTM	SCM435	Electroless Nickel Plating	8.8 Equivalent	FGUTS	SUS304 Equivalent	-	A2-70 Equivalent	
	Type	Material	Surface Treatment	Strength Class										
FGUTM	SCM435	Electroless Nickel Plating	8.8 Equivalent											
FGUTS	SUS304 Equivalent	-	A2-70 Equivalent											
Configurable Length Knurled  RoHS10	<table border="1"> <tr> <th>Type</th> <th>Material</th> </tr> <tr> <td>FRNCS</td> <td>SUS303</td> </tr> </table>	Type	Material	FRNCS	SUS303									
	Type	Material												
FRNCS	SUS303													
Configurable Length Button Head Cap  RoHS10	<table border="1"> <tr> <th>Type</th> <th>Material</th> <th>Strength Class</th> </tr> <tr> <td>FCBBS</td> <td>SUS304 Equivalent</td> <td>A2-50 Equivalent</td> </tr> </table>	Type	Material	Strength Class	FCBBS	SUS304 Equivalent	A2-50 Equivalent							
	Type	Material	Strength Class											
FCBBS	SUS304 Equivalent	A2-50 Equivalent												

Part Number		1mm Increment						Unit Price				
Type	M	ℓ			L			ℓ · L Machining Conditions	FGUTM	FGUTS	FRNCS	FCBBS
		FGUTM FGUTS	FRNCS	FCBBS	FGUTM FGUTS	FRNCS	FCBBS					
FGUTM FGUTS FRNCS FCBBS	3	2~18	4~16	5~20	4~20	6~20	6~25	ℓ ≤ L ⓘ				
	4	3~18	4~16	5~25	6~20	6~20	6~30					
	5	3~23	5~20	5~25	8~25	8~25	8~30					
	6	4~28	8~20	8~30	8~30	8~25	8~35					
	8	5~38	10~20	10~45	8~40	10~25	10~50					

ⓘ For ℓ=L, there will be incomplete threads (2 pitches Max.) below the screw head

M	A	A1	A2	E	E1	E2 (Max.)	B	B2	C (Min.)	d	d2
3	5.5	12	5.5	3	2.5	1.6	2.5	2	1.04	2.2	6
4	7	16	7.5	4	3.5	2.2	3	2.5	1.3	3	8
5	8.5	20	9.5	5	4	2.7	4	3	1.56	3.9	10
6	10	24	10.5	6	5	3.3	5	4	2.08	4.5	12
8	13	30	14	8	6	4.4	6	5	2.6	6.3	16



Ordering Example

Part Number - ℓ - L
FRNCS6 - 8 - 20