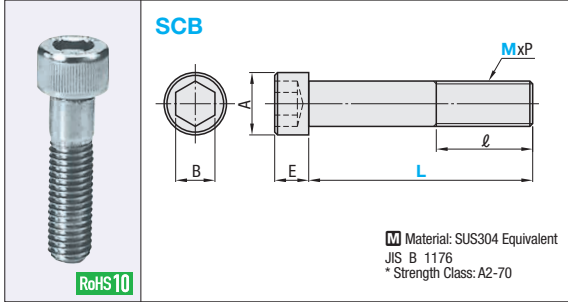


Hex Socket Head Cap Screws

Stainless Steel (Available in Single item)

When you need large quantities, box packaging is more economical. **P173**



MxP	A	E	B
2x0.4	3.8	2	1.5
2.5x0.45	4.5	2.5	2
2.6x0.45	4.5	2.6	2
3x0.5	5.5	3	2.5
4x0.7	7	4	3
5x0.8	8.5	5	4
6x1.0	10	6	5
8x1.25	13	8	6
10x1.5	16	10	8
12x1.75	18	12	10

* The strength class signifies the screw's tensile strength.

(Ex.) A2 - 70

This indicates that the minimum value of tensile strength is 700N/mm².

The steel class is A2 (Austenitic Stainless Steel)

Reference: Dimensions of Counterbore and Cap Screw Hole for Hex Socket Head Cap Screws **P1891**

Part Number	Unit Price	Volume Discount Rate
Type M- L	ℓ	1 - 9 pc(s), 10 - 29 pcs, 30 - 99 pcs, 100 - 500 pcs.
SCB 2-	3	
	4	
	5	
	6	
	8	
	10	
	12	
	15	
SCB 2.5-	4	
	5	
	6	
	8	
	10	
	12	
	15	
SCB 2.6-	4	
	5	
	6	
	8	
	10	
	12	
	15	
SCB 3-	4	
	5	
	6	
	8	
	10	
	12	
	14	
	15	
	16	
	18	
	20	
	25	
	30	
	35	
	40	
SCB 4-	5	
	6	
	8	
	10	
	12	
	14	
	15	
	16	
	18	
	20	
	22	
	25	

Part Number	Unit Price	Volume Discount Rate
Type M- L	ℓ	1 - 9 pc(s), 10 - 29 pcs, 30 - 99 pcs, 100 - 500 pcs.
SCB 4-	30	
	35	
	40	20
	45	
	50	
SCB 5-	6	
	8	
	10	
	12	
	14	
	15	
	16	
	18	
	20	
	22	
	25	
	30	
	35	
	40	22
	45	
	50	
SCB 6-	8	
	10	
	12	
	14	
	15	
	16	
	18	
	20	
	22	
	25	
	30	
	35	
	40	
	45	
	50	
	55	
	60	
	65	
	70	
SCB 8-	10	
	12	
	14	
	15	
	16	

Part Number	Unit Price	Volume Discount Rate
Type M- L	ℓ	1 - 9 pc(s), 10 - 29 pcs, 30 - 99 pcs, 100 - 500 pcs.
SCB 8-	18	
	20	
	22	
	25	
	30	
	35	
	40	
	45	
	50	
	55	
	60	28
	65	
	70	
	75	
	80	
SCB 10-	12	
	14	
	15	
	16	
	18	
	20	
	25	
	30	
	35	
	40	
	45	
	50	
	55	
	60	32
	65	
	70	
	75	
SCB 12-	15	
	20	
	25	
	30	
	35	
	40	
	45	
	50	
	55	
	60	36



Ordering Example

Part Number

SCB3-5