

Note that, for some of the types shown here, order might be unable to be received by the MISUMI Malaysia, and/or Indonesia offices.



Contact Probes, Receptacles

Minimum Mounting Pitch 0.9mm / 1.0mm Series

Compared to Similar Products 90% Off Max.

Similar Component Page P.1919

Comparison Points with Similar Products | Replacement Cycle (Reference) : 20,000-40,000 times Convenient package sale is available at a low price.

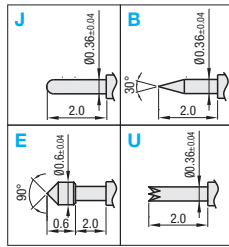
Contact Probe
Minimum Mounting Pitch 0.9mm
Sold by the package (50 pcs./pkg.)



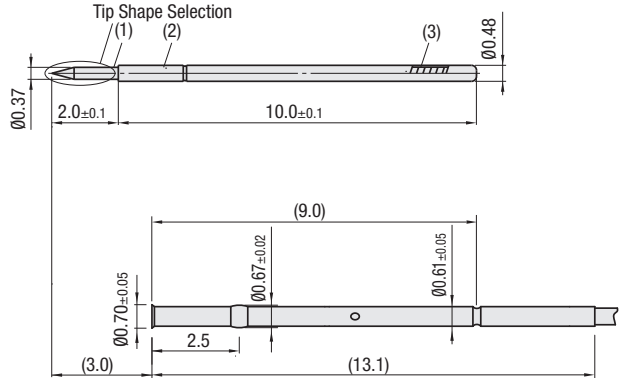
Receptacle
Sold by the package (50 pcs./pkg.)



NPT048 : Contact Probe



NRT048W : Receptacle



Contact Probes

Part	M Material	S Surface Treatment
(1) Plunger	SK4	Gold Plating on Nickel Undercoat
(2) Barrel	Phosphor Bronze	Gold Plating on Nickel Undercoat
(3) Spring	SWP-A	Gold Plating on Nickel Undercoat

Receptacles

M Material	S Surface Treatment
Phosphor Bronze	Gold Plating on Nickel Undercoat

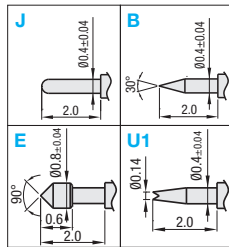
Contact Probe
Minimum Mounting Pitch 1.0mm
Sold by the package (50 pcs./pkg.)



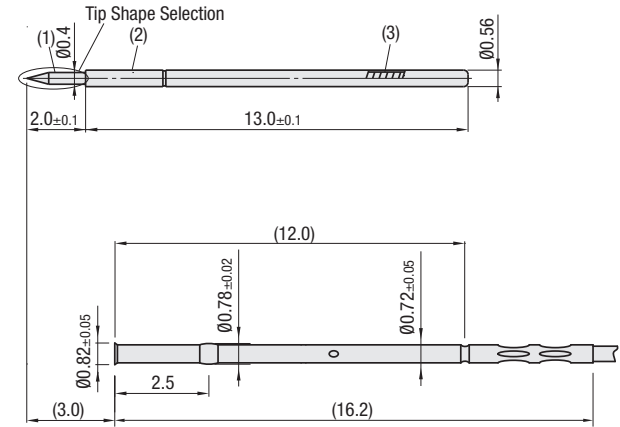
Receptacle
Sold by the package (50 pcs./pkg.)



NPT058 : Contact Probe



NRT058W : Receptacle



Contact Probes

Part	M Material	S Surface Treatment
(1) Plunger	SK4	Gold Plating on Nickel Undercoat
(2) Barrel	Phosphor Bronze	Gold Plating on Nickel Undercoat
(3) Spring	SUS304	Gold Plating on Nickel Undercoat

Receptacles

M Material	S Surface Treatment
Phosphor Bronze	Gold Plating on Nickel Undercoat

Contact Probe

Part Number Type	No.	Tip Shape	Mounting Pitch (mm)	Full Stroke	Spring Pressure 2/3 Stroke	Allowable Current	Resistance	Replacement Cycle (Reference)	Unit Price (50 pcs./pkg.)
NPT	048	J, B, E, U	0.9mm	2mm	56gf	1.0A	100mΩ	20,000 times	
NPT	058	J, B, E, U1	1.0mm	2mm	56gf	2.0A	70mΩ	40,000 times	

Receptacle

Part Number Type	No.	Matching Contact Probe	Mounting Hole for Press-Fitting Dimension (Reference)	Lead Wire Length	Lead Wire	Unit Price (50 pcs./pkg.)
NRT	048	W NPT048	Ø0.65mm	860mm	Ø0.48	
NRT	058	W NPT058	Ø0.75mm		Ø0.48	



Ordering Example
Part Number (Type, No.) - Tip Shape
NPT048 - J
NRT058W