

Rotary Connectors

Moment Load Allowable - Single Flanged, Double Flanged

■ **Features:** Built-in oil-free bushings enable uses under moment loads.

Single Flanged



RoHS 10

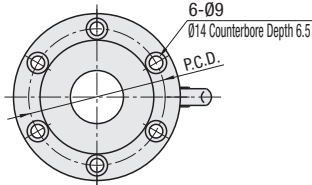
Doubled Flanged



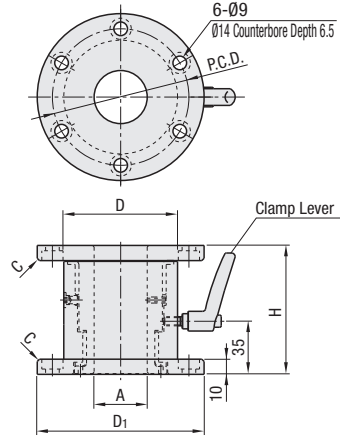
RoHS 10

Type		Material	Surface Treatment	Accessory		
Single Flanged	Double Flanged			Clamp Lever	Screw	Nut
HRCN	HRCNW	SS400	Electroless Nickel Plating	CLMD	CB8-20x6	LBNR8x6

Single Flanged (HRCN)



Doubled Flanged (HRCNW)



- ⚠ Structure with inner stopper prevents 360 rotation to prevent wiring from being twisted.
- ⚠ Avoid giving excessive impact to the internal stopper when rotating, otherwise, it may cause damages.

Single Flanged

Part Number Type	Nominal	A	D	D ₁	G (PF)	F	H	C	V	P.C.D.	C ₁	Applicable Tube	Allowable Moment Load (Calculated Values) N · m	Unit Price 1 ~ 4 pc(s).
		HRCN	42	35	75	110	G1 1/2	26	85	3	50	90	1.5	G42
54	50		90	125	G2	27	85	64	105		G54	500		
70	65		105	140	G2 1/2	32	85	78	120		G70	750		
82	80		120	155	G3	37	90	92	135		G82	1000		

- ⚠ Take note that the applicable hollow tubes are based on JIS C 8305 Rigid Steel Conduits, but the thread section will be JIS B 0202 Parallel Threads for Tubes. (Threads for electrical conduits will not fit.)
- ⚠ Allowable moment loads are not guaranteed values.
- ⚠ For orders larger than indicated quantity, please request a quotation.

Doubled Flanged

Part Number Type	Nominal	A	D	D ₁	H	C	P.C.D.	Allowable Moment Load (Calculated Values) N · m	Unit Price 1 ~ 4 pc(s).
		HRCNW	42	35	75	110	85	1.5	90
54	50		90	125	85	105	500		
70	65		105	140	85	120	750		
82	80		120	155	90	135	1000		

- ⚠ Allowable moment loads are not guaranteed values.
- ⚠ For orders larger than indicated quantity, please request a quotation.

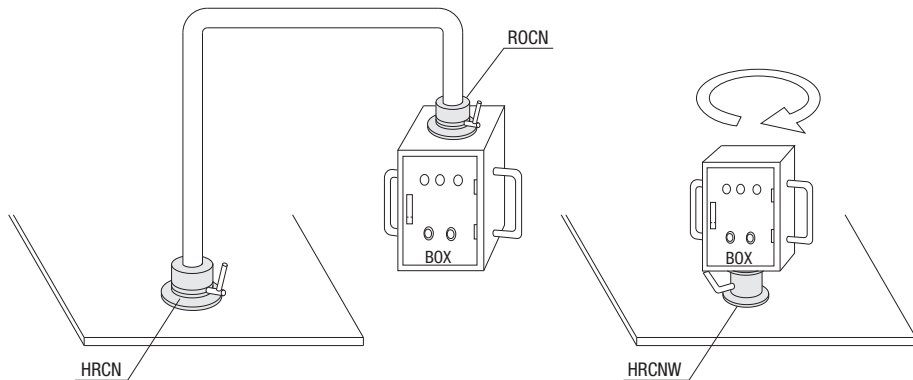


Ordering Example

Part Number
HRCNW54



Example



Usable under Moment Load

Box Mountable without a Hollow Stand