

Hollow Stands

Pipe Threaded / Pipe Threaded, Welded

■ **Features:** Can be used with Rotary Connectors on **P2191**. Select Welded Type for mounting touch panels or boxes.

■ Pipe Threaded



■ Pipe Threaded, Welded



RoHS 10

■ Pipe Threaded

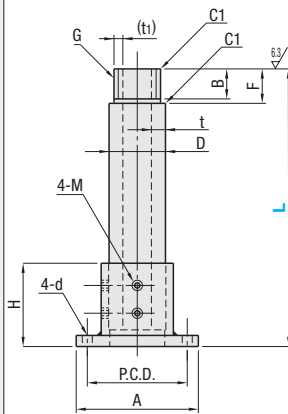
Type		Material	Surface Treatment	Portion
Round Flanged	Compact Flanged			
PSEG	WPSEG	STKM13A SS400	Electroless Nickel Plating	Hollow Bracket
PSE GK	WPSE GK	STKM13A SS400	Black Oxide	Hollow Bracket
PSEGS	-	SUS304 SUS304	-	Hollow Bracket

■ Pipe Threaded, Welded

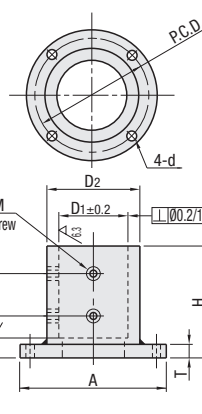
Type		Material	Surface Treatment	Portion
Round Flanged	Compact Flanged			
PSYG	WPSYG	STKM13A SS400	Electroless Nickel Plating	Hollow Bracket

√(25/6.3/)

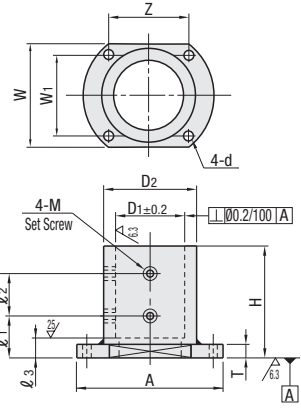
■ Pipe Threaded



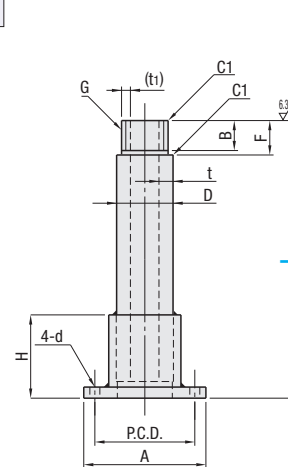
Round Flanged



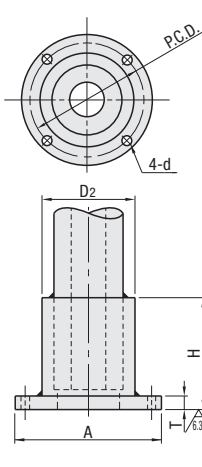
Compact Flanged



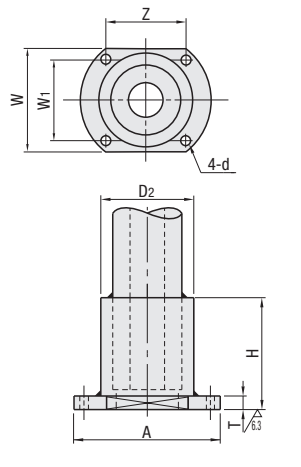
■ Pipe Threaded, Welded



Round Flanged



Compact Flanged



√(25/6.3/)

Part Number	Type	G(PF)			L 1mm Increment	F	B	D	D1	D2	t	(t1)	A	P.C.D.	H	d	M	T	H	ℓ1	ℓ2	ℓ3	W	Z	W1
		Nominal	Nominal of Thread	Thread O.D.																					
28	Round Flanged	G1	33.25	200~800	26	23	40 ±0.4	40.5	54	7	3.6	100	80	60	9	M6	10	60	25	25	15	64	62	44	
36	Welded Round Flanged	G1 1/4	41.91	200~1000	29	26	50.8 ±0.41	51.5	65	8	3.5	110	90	75											75
42	PSE GK	G1 1/2	47.80		300~1000	30	27	60.5 ±0.49	61	76.3	4	3.6	120	100	90	9	M8	12	90	35	40	20	90	76	70
54	PSEGS	G2	59.61	35		32	76.3 ±0.56	77	89.1	5.5	4.9	130	110	105	105										
70	Compact Flanged	G2 1/2	75.18	300~1000	40	37	89.1 ±0.9	90	101.6	7	6.3	140	120	120	9	M8	12	120	40	60	20	110	86	90	
82	Welded Compact Flanged	G3	87.88		40	37	101.6 ±1.02	102	120	6	5.3	160	140	150											150
92	WPSE GK	G3 1/2	100.33																						

⚠ Parallel pipe thread is JIS B 0202 Class B.

⚠ PSEGS is available for nominal 42 and 54 only.

⚠ For rotary connectors, refer to **P2191, 2192**

⚠ Only for PSEGS54, t dimension is 4.9, and (t1) dimension is 4.4.



Ordering Example

Part Number	-	L
PSEG42	-	600
WPSYG54	-	300