

Hollow Stands

Welded Type

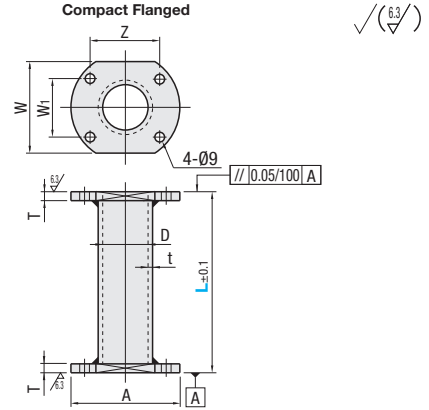
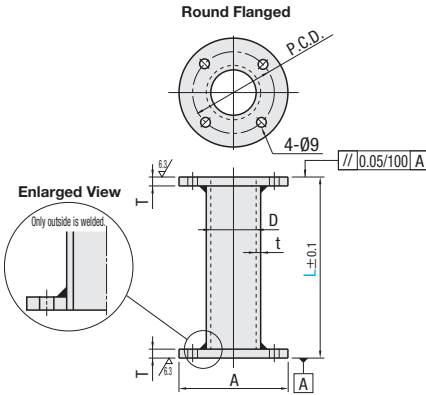
■ **Features:** Hollow Stands with accurate heights that can also be used as a spacer.

Welded Type



RoHS 10

Type		Material		Surface Treatment
Round Flanged	Compact Flanged	Hollow	Bracket	
PSYM	WPSYM	STKM13A	SS400	Electroless Nickel Plating
PSYK	-			Black Oxide



Part Number		L		D		t	A	P.C.D.	T	W	Z	W1
Type	Nominal	1mm Increment										
Round Flanged PSYM PSYK	30	50~300	30	±0.40	4.0	90	70	10	56	56	34	
	40		40			100	80		64	62	44	
	50		50.8	±0.41		110	90	74	74	50		
Compact Flanged WPSYM	60		60.5	±0.49	6.0	120	100	12	90	76	70	
	70		70	±0.56		130	110		100	80	80	



Ordering Example Part Number - L
PSYM40 - 300

Nominal	L	Unit Price		
		Round Flanged		Compact Flanged
		Electroless Nickel Plating PSYM	Black Oxide PSYK	Electroless Nickel Plating WPSYM
30	50~150			
	151~300			
40	50~150			
	151~300			
50	50~150			
	151~300			
60	50~150			
	151~300			
70	50~150			
	151~300			



Alterations Part Number - L - (LKC)
PSYM40 - 300 - LKC

Alteration	Code	Spec.
	LKC	Changes the tolerance of L dimension to L±0.05. Ordering Code: LKC



Example

