

Flexible Clamps

Compact

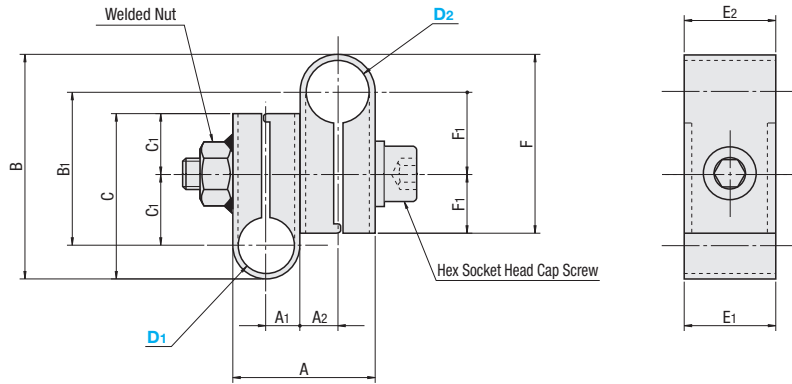
■ **Features:** Easy mounting with one screw. Suitable for mounting light loads.

Flexible Clamps



RoHS10

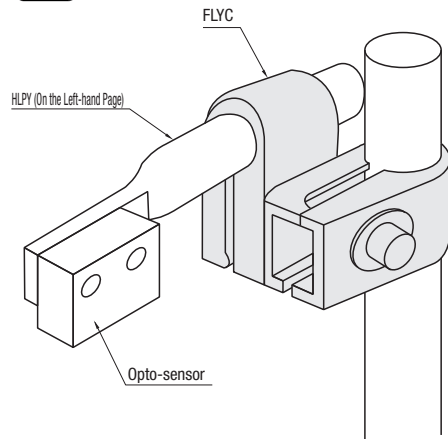
Type	Material	Surface Treatment
FLYC	SPHC	Black Oxide
FLYM	SPHC	Electroless Nickel Plating
FLYS	SUS304	-



Part Number Type	D1	D2 Selection	Dimensions (mm)											Welded Nut	Hex Socket Head Cap Screw
			A	A1	A2	B	B1	C	C1	E1	E2	F	F1		
FLYC FLYM FLYS	8	8	22.4	5.6	5.6	40.6	29.4	35	14.7	13	13	35	14.7	M6	M6×30
		10	24.4	5.6	6.6	41.1	28.9	35	14.7	13	15	35	14.2		M6×35
		10	26.4	6.6	6.6	41.6	28.4	35	14.2	15	15	35	14.2		M6×40
	12	29.2	6.6	8	42.8	28.2	35	14.2	15	18	36	14	M6×40		
	12	32	8	8	44	28	36	14	18	18	36	14	M6×40		
	15	35	8	9.5	45.3	27.7	36	14	18	18	37	13.7	M6×45		
	20	15	38	9.5	9.5	46.6	27.4	37	13.7	18	18	37	13.7	M6×45	
		20	43.6	9.5	12.3	57	35	37	13.7	18	23	55	21.3	M6×55	
		20	49.2	12.3	12.3	67.4	42.6	55	21.3	23	23	55	21.3	M8×65	
	25	25	54.2	12.3	14.8	72.6	45.4	55	21.3	23	25	63	24.1	M8	M8×70
		25	59.2	14.8	14.8	77.8	48.2	63	24.1	25	25	63	24.1		M8×75

⚠ Recommended Diameter Tolerance of Mating Post: +0.1 ~ -0.3.

Ordering Example: **Part Number** - **D2**
FLYC10 - **12**



D1	D2	Unit Price		
		FLYC	FLYM	FLYS
8	8			
	10			
10	10			
	12			
12	12			
	15			
15	15			
	20			
20	20			
	25			
25	25			